

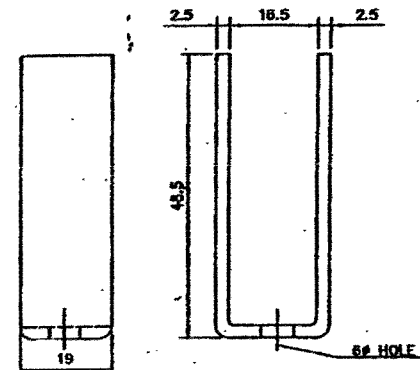
GENERAL NOTES:-

- WORD 'GEB' AND TRADE MARK OF SUPPLIER SHALL BE ENGRAVED BOTH ON FUSE CARRIER & BASE
- ALL DIMENSION ARE IN MM.

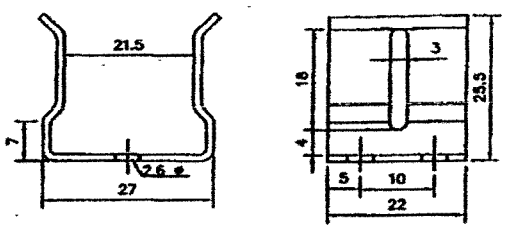
[Signature]
 Addl. Chief Engineer
 P.G.V.C.L. Corporate Office
 Rajkot

PASCHIM GUJARAT VIJ COMPANY LTD.
 RAJKOT
 DRAWING FOR 100 AMPS, 415 VOLTS
 KIT-KAT FUSE

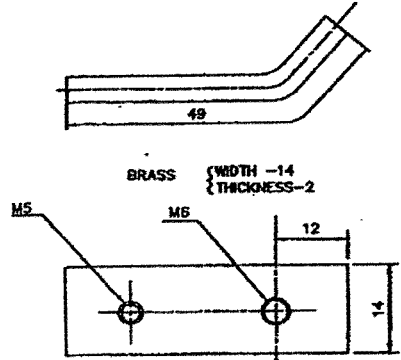
Drawing No.
 PGNGL/Fuse/100A/Body/02



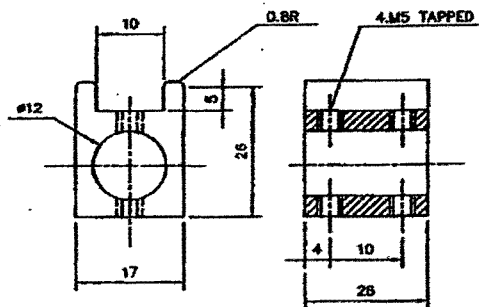
TOP 'U' CONTACT(COPPER)



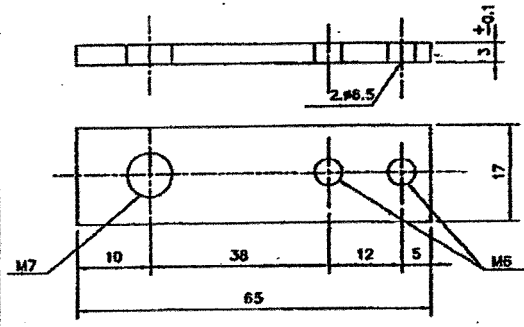
BASE 'U' CONTACT (PHOSPHOR)



TOP FUSE WIRE STRIP(BRASS)



BASE STUD (BRASS)



EXTENSIBLE STRIP(BRASS)

ALL DIMENSION ARE IN M.M.

Signature
 Addl. Chief Engineer
 P.G.V.C.L. Corporate Office
 Rajkot.

PASCHIM GUJARAT VIJ COMPANY LTD.
 RAJKOT
 GENERAL ARRANGMENT &
 COMPONENTS DRG.
 FOR 100 AMPS, 415 VOLTS
 KIT-KAT FUSE
 Drawing No.
 PGVCL/Fuse/100A/Metal Part/03