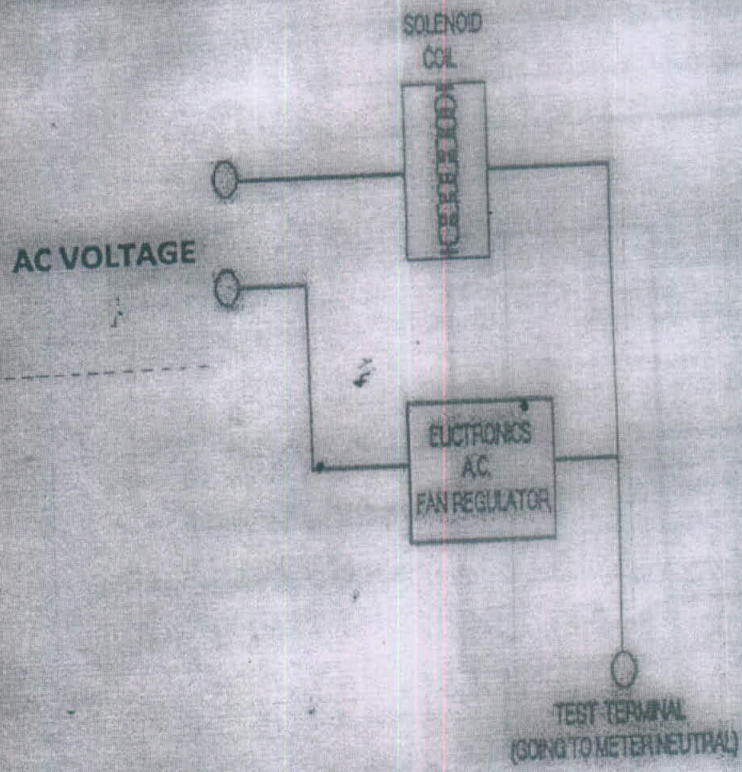


Annexure - II



CIRCUIT DIAGRAM FOR TEST JIG TO INTRODUCE CHOPPED A.C. IN NEUTRAL

CIRCUIT DIAGRAM FOR DC PULSATING SIGNALS IN NEUTRAL

