

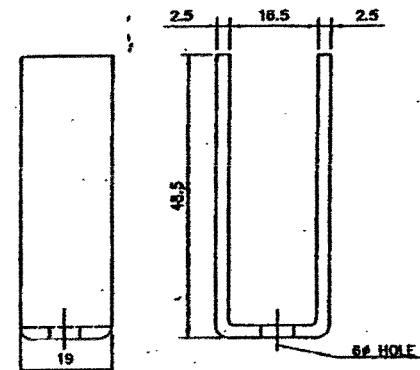
**GENERAL NOTES:-**

- 1. WORD 'GEB' AND TRADE MARK OF SUPPLIER SHALL BE EMBOSSED BOTH ON FUSE CARRIER & BASE
- 2. ALL DIMENSION ARE IN MM.

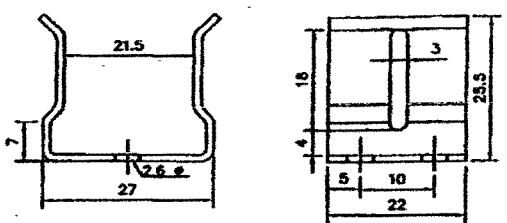
*[Signature]*  
 Addl. Chief Engineer  
 P.G.V.C.L. Corporate Office  
 Rajkot

PASCHIM GUJARAT VIJ COMPANY LTD.  
 RAJKOT  
 DRAWING FOR 100 AMPS, 415 VOLTS  
 KIT-KAT FUSE

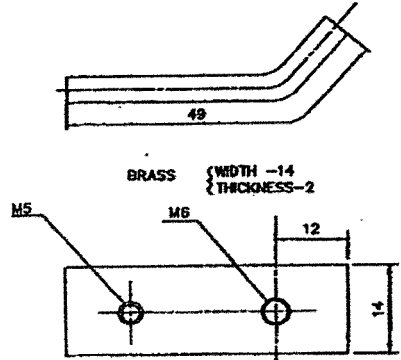
Drawing No.  
 PGVCL/Fuse/100A/Body/02



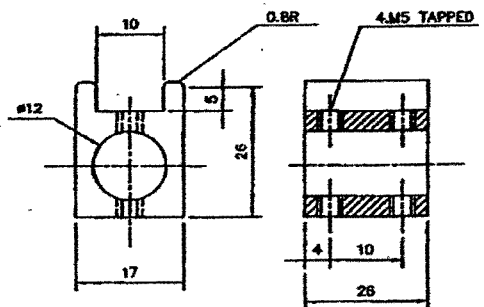
TOP 'U' CONTACT(COPPER)



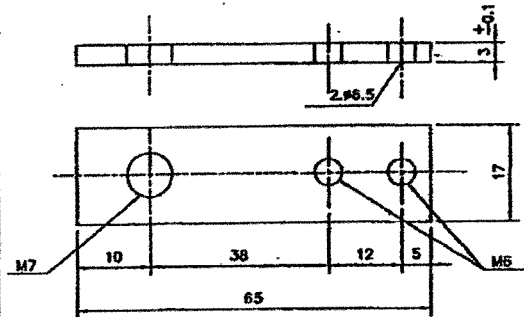
BASE 'U' CONTACT (PHOSPHOR)



TOP FUSE WIRE STRIP(BRASS)



BASE STUD (BRASS)



EXTENSIBLE STRIP(BRASS)

ALL DIMENSION ARE IN M.M.

*[Signature]*  
 Addi. Chief Engineer  
 P.G.V.C.L. Corporate Office  
 Rajkot.

PASCHIM GUJARAT VIJ COMPANY LTD.  
 RAJKOT  
 GENERAL ARRANGMENT &  
 COMPONENTS DRG.  
 FOR 100 AMPS, 415 VOLTS  
 KIT-KAT FUSE  
 Drawing No.  
 PGVCL/Fuse/100A/Metal Part/03