

NOTE:-

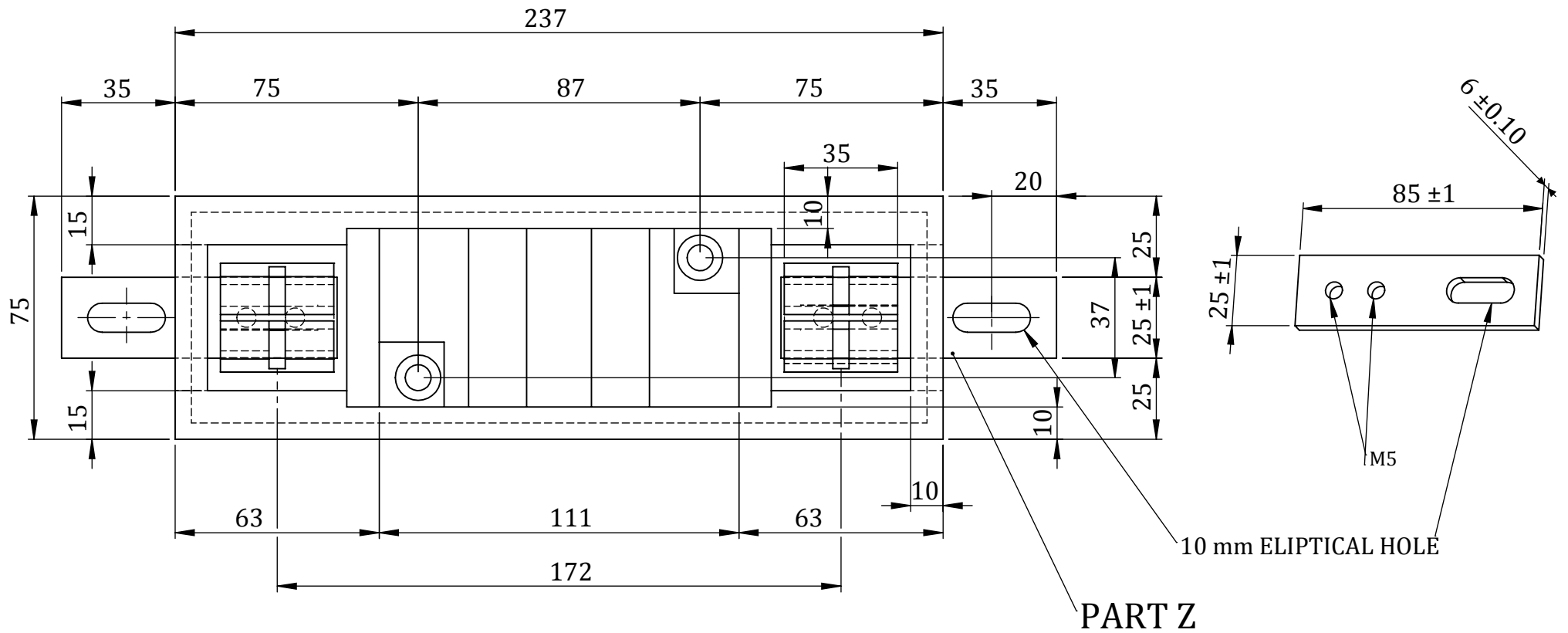
1. WORD 'PGVCL' AND TRADE MARK OF SUPPLIER SHALL BE EMBOSSED BOTH ON FUDE CARRIER AND BASE
2. GENERAL TOLERANCE  $\pm 5\%$  ON LENGTH, WIDTH AND HEIGHT OF THE BODY
3. CENTRE DISTANCE BETWEEN HOLES OF METAL PARTS  
UP TO 50 mm -  $\pm 1$ mm  
ABOVE 50 mm-  $\pm 2$ mm
4. WALL THICKNESS  
UP TO 10 mm-  $\pm 1$ mm  
ABOVE 10mm-  $\pm 1.5$ mm
5. TOLERANCE  $\pm 5\%$  IN CERAMIC PARTS
6. ALL DIMENSIONS ARE IN mm

DISCOM Name:-PASCHIM GUJARAT VIJ COMPANY LIMITED

GENERAL ARRANGEMENT AND COMPONENTS  
DRG. FOR 200Amp., 415 VOLTS KIT-KAT FUSE

DRG. NO.: -PGVCL/KIT-KAT/200A/13

SHEET 1 OF 9



**NOTE:-**

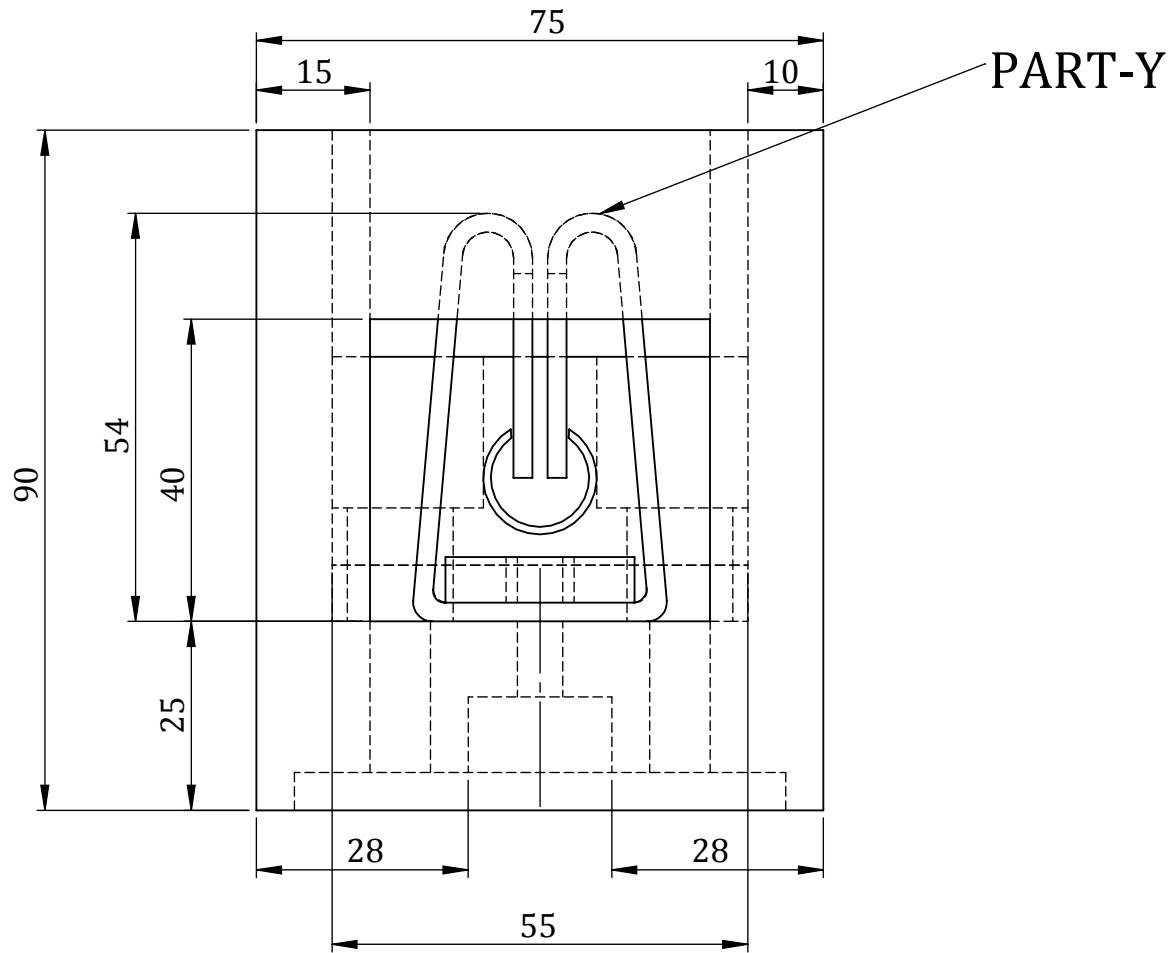
1. WORD 'PGVCL' AND TRADE MARK OF SUPPLIER SHALL BE EMBOSSED BOTH ON FUDE CARRIER AND BASE
2. GENERAL TOLERANCE  $\pm 5\%$  ON LENGTH, WIDTH AND HEIGHT OF THE BODY
3. CENTRE DISTANCE BETWEEN HOLES OF METAL PARTS  
UP TO 50 mm -  $\pm 1$ mm  
ABOVE 50 mm-  $\pm 2$ mm
4. WALL THICKNESS  
UP TO 10 mm-  $\pm 1$ mm  
ABOVE 10mm-  $\pm 1.5$ mm
5. TOLERANCE  $\pm 5\%$  IN CERAMIC PARTS
6. ALL DIMENSIONS ARE IN mm

DISCOM Name:-PASCHIM GUJARAT VIJ COMPANY LIMITED

GENERAL ARRANGEMENT AND COMPONENTS DRG.  
FOR 200Amp., 415 VOLTS KIT-KAT FUSE

DRG. NO.:-PGVCL/KIT-KAT/200A/13

SHEET 2 OF 9



**SIDE VIEW**

**NOTE:-**

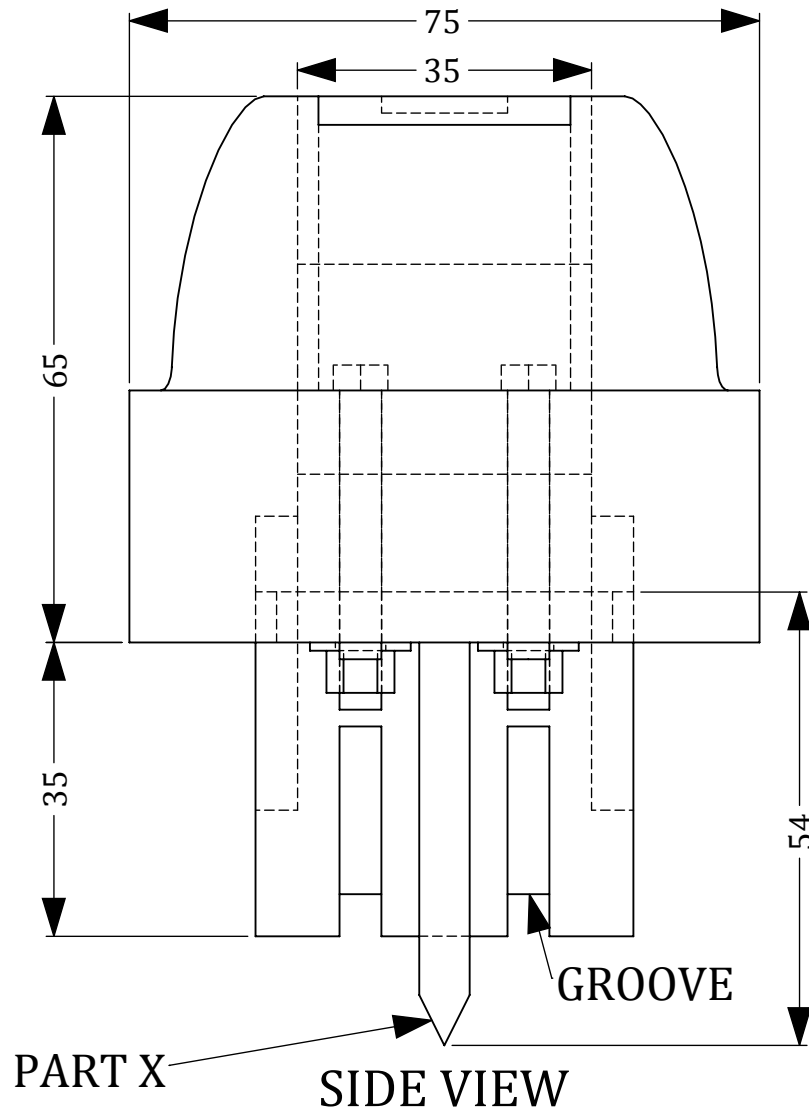
1. WORD 'PGVCL' AND TRADE MARK OF SUPPLIER SHALL BE EMBOSSED BOTH ON FUDE CARRIER AND BASE
2. GENERAL TOLERANCE  $\pm 5\%$  ON LENGTH, WIDTH AND HEIGHT OF THE BODY
3. CENTRE DISTANCE BETWEEN HOLES OF METAL PARTS  
UP TO 50 mm -  $\pm 1$ mm  
ABOVE 50 mm-  $\pm 2$ mm
4. WALL THICKNESS  
UP TO 10 mm-  $\pm 1$ mm  
ABOVE 10mm-  $\pm 1.5$ mm
5. TOLERANCE  $\pm 5\%$  IN CERAMIC PARTS
6. ALL DIMENSIONS ARE IN mm

DISCOM Name:-PASCHIM GUJARAT VIJ COMPANY LIMITED

GENERAL ARRANGEMENT AND COMPONENTS DRG.  
FOR 200Amp., 415 VOLTS KIT-KAT FUSE

DRG. NO.: -PGVCL/KIT-KAT/200A/13

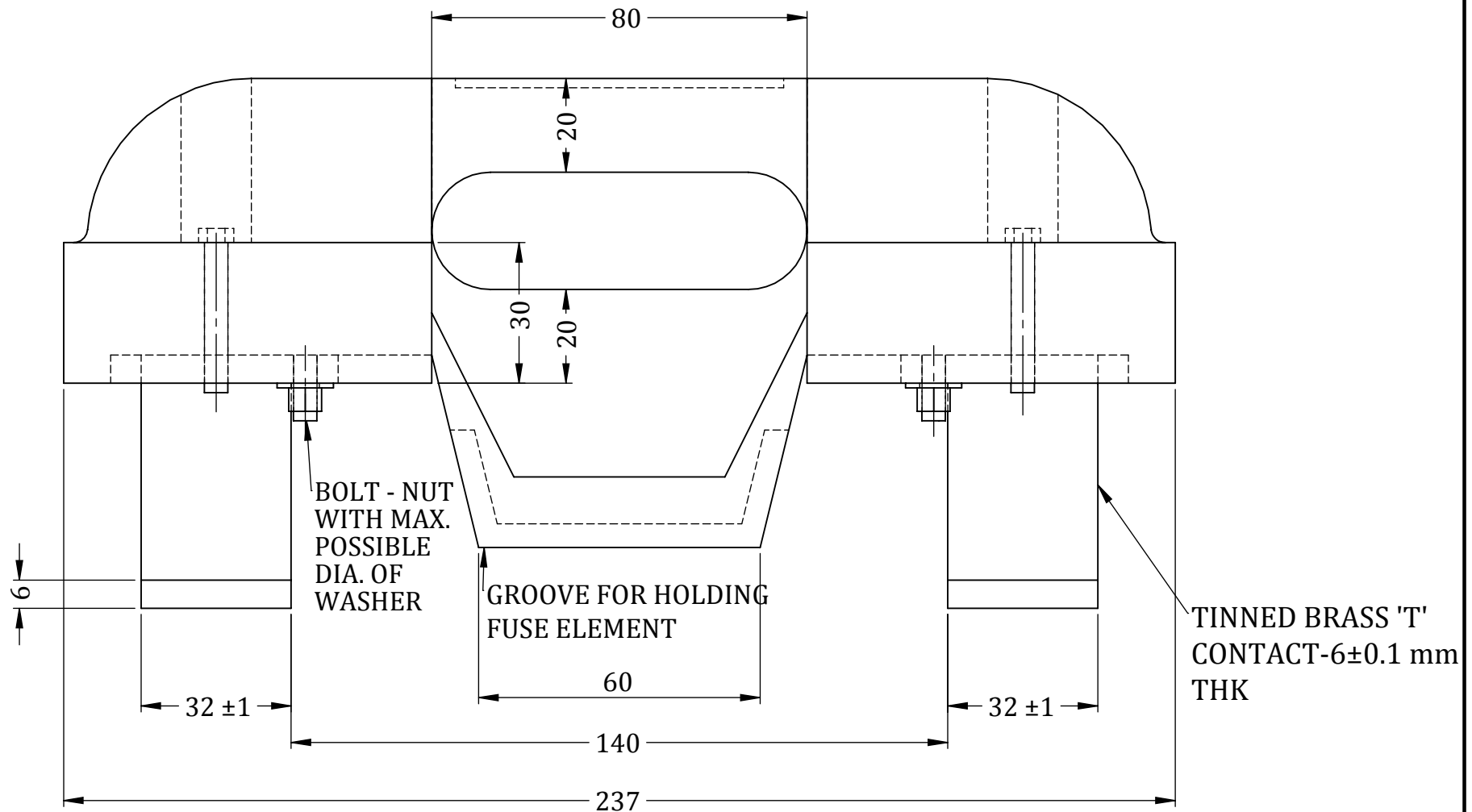
SHEET 3 OF 9



**NOTE:-**

1. WORD 'PGVCL' AND TRADE MARK OF SUPPLIER SHALL BE EMBOSSED BOTH ON FUDE CARRIER AND BASE
2. GENERAL TOLERANCE  $\pm 5\%$  ON LENGTH, WIDTH AND HEIGHT OF THE BODY
3. CENTRE DISTANCE BETWEEN HOLES OF METAL PARTS  
UP TO 50 mm -  $\pm 1$ mm  
ABOVE 50 mm-  $\pm 2$ mm
4. WALL THICKNESS  
UP TO 10 mm-  $\pm 1$ mm  
ABOVE 10mm-  $\pm 1.5$ mm
5. TOLERANCE  $\pm 5\%$  IN CERAMIC PARTS
6. ALL DIMENSIONS ARE IN mm

DISCOM Name:-PASCHIM GUJARAT VIJ COMPANY LIMITED	
<b>GENERAL ARRANGEMENT AND COMPONENTS DRG. FOR 200Amp., 415 VOLTS KIT-KAT FUSE</b>	
DRG. NO.: -PGVCL/KIT-KAT/200A/13	SHEET 4 OF 9



**SIDE VIEW**

**NOTE:-**

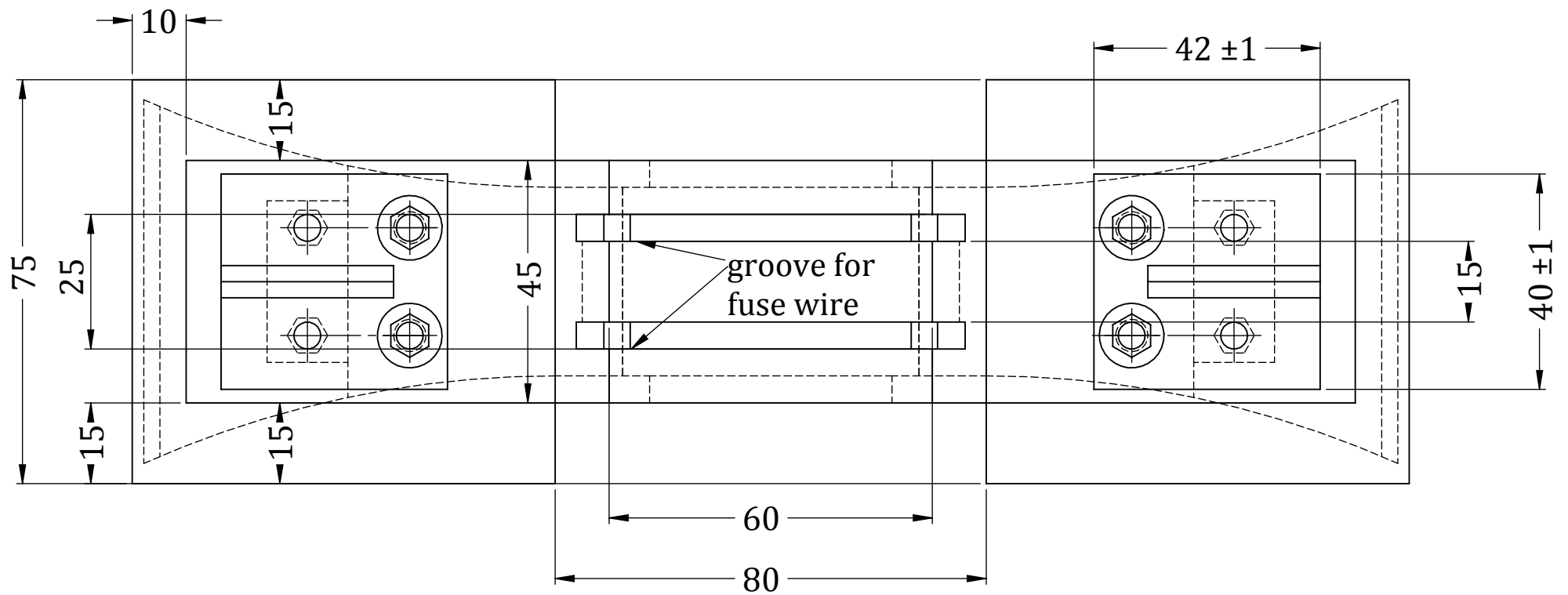
1. WORD 'PGVCL' AND TRADE MARK OF SUPPLIER SHALL BE EMBOSSED BOTH ON FUDE CARRIER AND BASE
2. GENERAL TOLERANCE  $\pm 5\%$  ON LENGTH, WIDTH AND HEIGHT OF THE BODY
3. CENTRE DISTANCE BETWEEN HOLES OF METAL PARTS  
UP TO 50 mm -  $\pm 1$ mm  
ABOVE 50 mm-  $\pm 2$ mm
4. WALL THICKNESS  
UP TO 10 mm-  $\pm 1$ mm  
ABOVE 10mm-  $\pm 1.5$ mm
5. TOLERANCE  $\pm 5\%$  IN CERAMIC PARTS
6. ALL DIMENSIONS ARE IN mm

DISCOM Name:-PASCHIM GUJARAT VIJ COMPANY LIMITED

GENERAL ARRANGEMENT AND COMPONENTS DRG.  
FOR 200Amp., 415 VOLTS KIT-KAT FUSE

DRG. NO.: -PGVCL/KIT-KAT/200A/13

SHEET 5 OF 9



**BOTTOM VIEW OF CARRIER**

**NOTE:-**

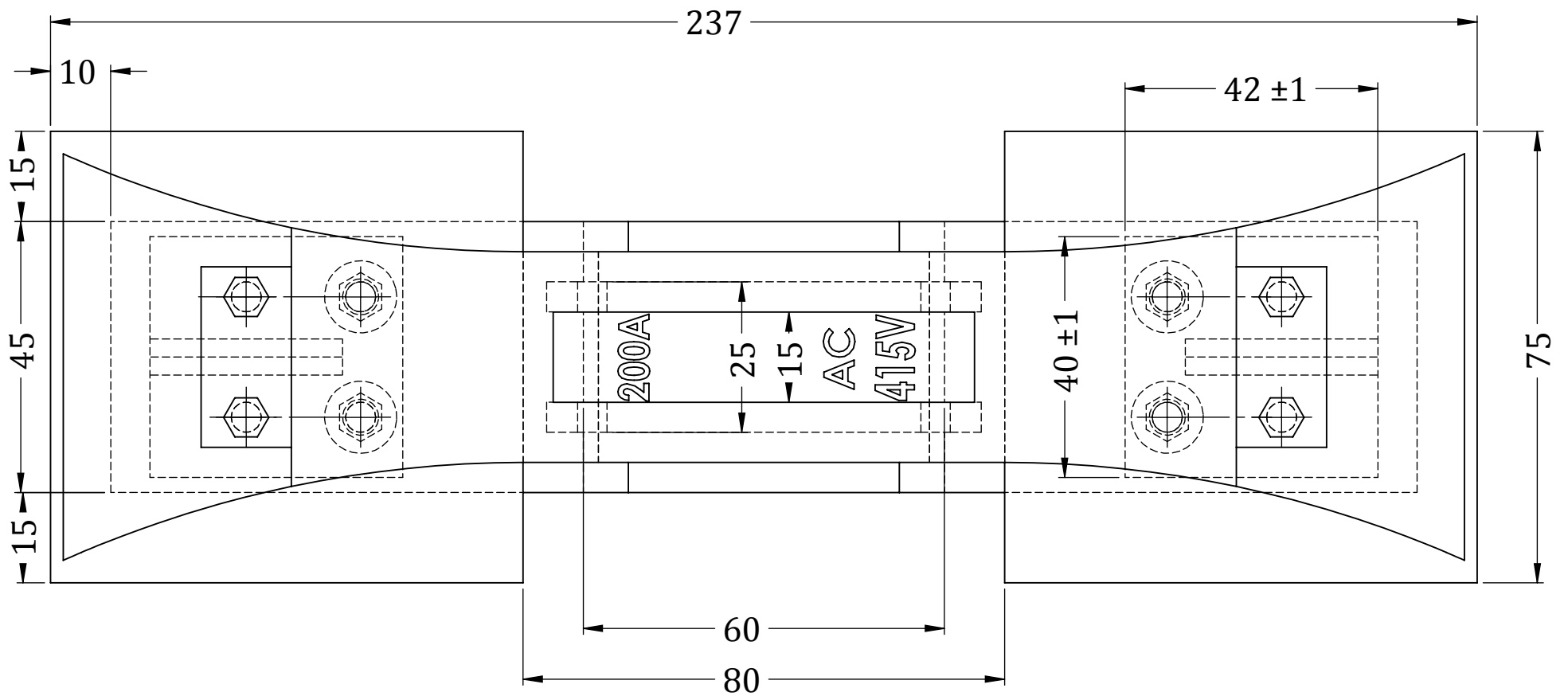
1. WORD 'PGVCL' AND TRADE MARK OF SUPPLIER SHALL BE EMBOSSED BOTH ON FUDE CARRIER AND BASE
2. GENERAL TOLERANCE  $\pm 5\%$  ON LENGTH, WIDTH AND HEIGHT OF THE BODY
3. CENTRE DISTANCE BETWEEN HOLES OF METAL PARTS  
UP TO 50 mm -  $\pm 1$ mm  
ABOVE 50 mm-  $\pm 2$ mm
4. WALL THICKNESS  
UP TO 10 mm-  $\pm 1$ mm  
ABOVE 10mm-  $\pm 1.5$ mm
5. TOLERANCE  $\pm 5\%$  IN CERAMIC PARTS
6. ALL DIMENSIONS ARE IN mm

DISCOM Name:-PASCHIM GUJARAT VIJ COMPANY LIMITED

GENERAL ARRANGEMENT AND COMPONENTS DRG.  
FOR 200Amp., 415 VOLTS KIT-KAT FUSE

DRG. NO.: -PGVCL/KIT-KAT/200A/13

SHEET 6 OF 9



TOP VIEW OF CARRIER

NOTE:-

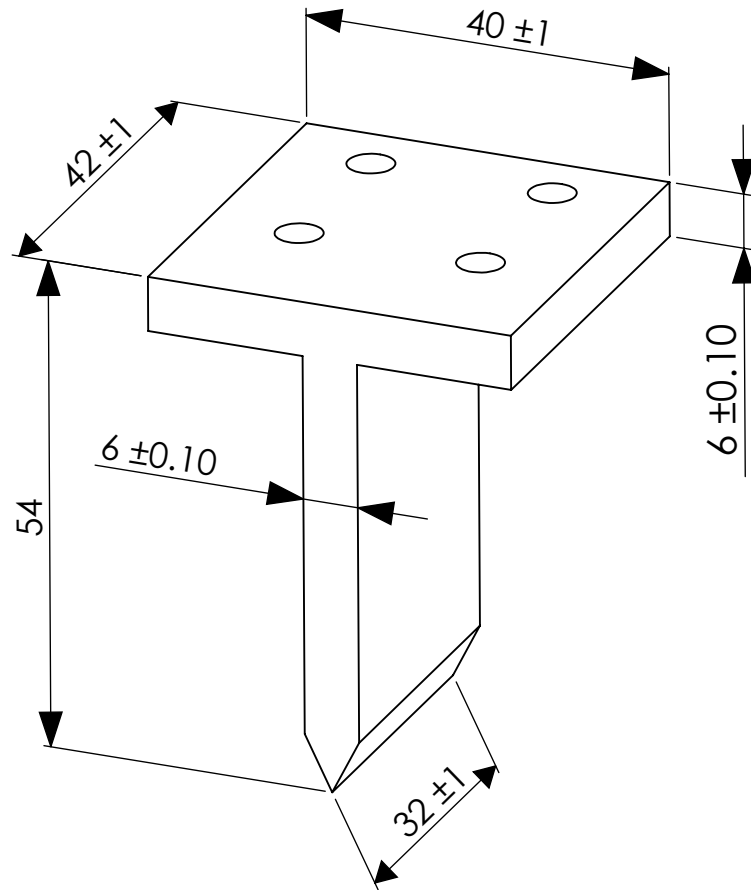
1. WORD 'PGVCL' AND TRADE MARK OF SUPPLIER SHALL BE EMBOSSED BOTH ON FUDE CARRIER AND BASE
2. GENERAL TOLERANCE  $\pm 5\%$  ON LENGTH, WIDTH AND HEIGHT OF THE BODY
3. CENTRE DISTANCE BETWEEN HOLES OF METAL PARTS  
UP TO 50 mm -  $\pm 1$ mm  
ABOVE 50 mm-  $\pm 2$ mm
4. WALL THICKNESS  
UP TO 10 mm-  $\pm 1$ mm  
ABOVE 10mm-  $\pm 1.5$ mm
5. TOLERANCE  $\pm 5\%$  IN CERAMIC PARTS
6. ALL DIMENSIONS ARE IN mm

DISCOM Name:-PASCHIM GUJARAT VIJ COMPANY LIMITED

GENERAL ARRANGEMENT AND COMPONENTS DRG.  
FOR 200Amp., 415 VOLTS KIT-KAT FUSE

DRG. NO.: -PGVCL/KIT-KAT/200A/13

SHEET 7 OF 9



## PART X

### NOTE:-

1. WORD 'PGVCL' AND TRADE MARK OF SUPPLIER SHALL BE EMBOSSED BOTH ON FUDE CARRIER AND BASE
2. GENERAL TOLERANCE  $\pm 5\%$  ON LENGTH, WIDTH AND HEIGHT OF THE BODY
3. CENTRE DISTANCE BETWEEN HOLES OF METAL PARTS  
UP TO 50 mm -  $\pm 1$ mm  
ABOVE 50 mm-  $\pm 2$ mm
4. WALL THICKNESS  
UP TO 10 mm-  $\pm 1$ mm  
ABOVE 10mm-  $\pm 1.5$ mm
5. TOLERANCE  $\pm 5\%$  IN CERAMIC PARTS
6. ALL DIMENSIONS ARE IN mm

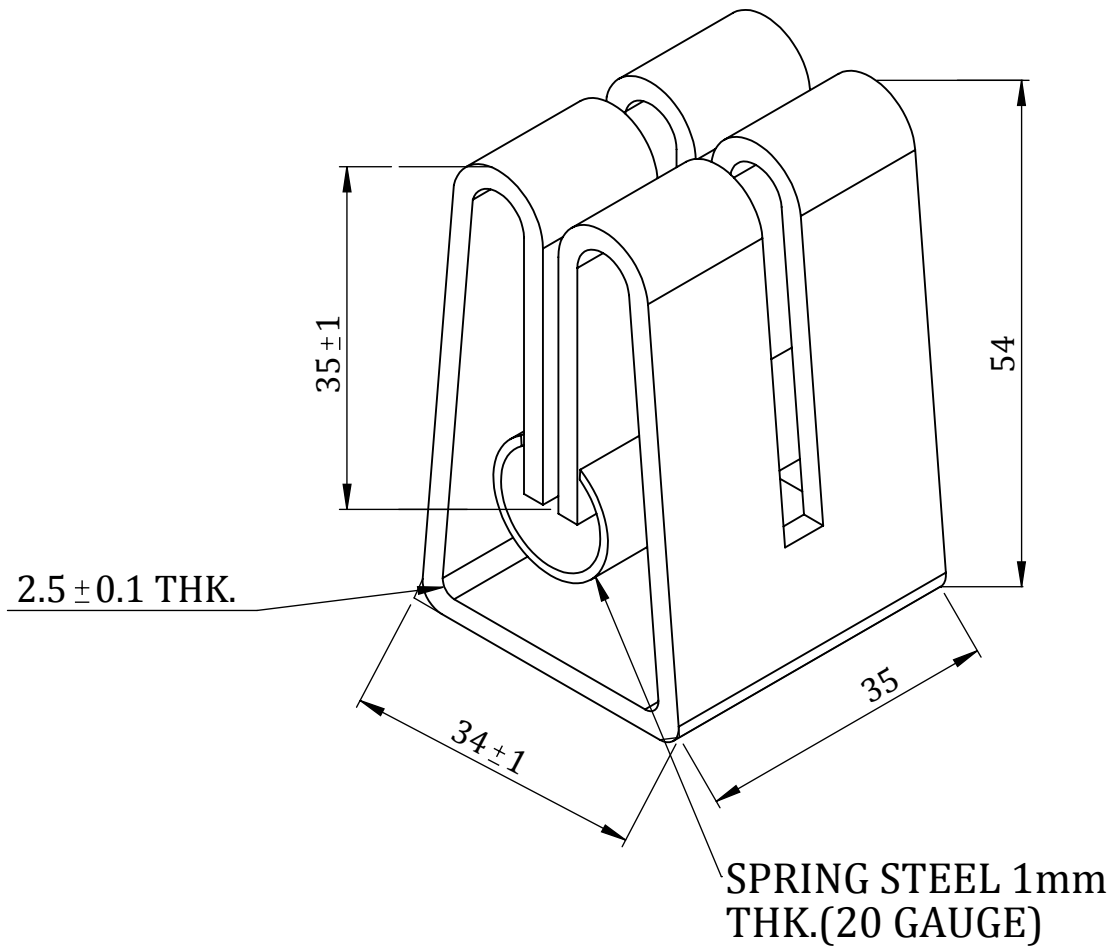
DISCOM Name:-PASCHIM GUJARAT VIJ COMPANY LIMITED

GENERAL ARRANGEMENT AND COMPONENTS DRG.  
FOR 200Amp., 415 VOLTS KIT-KAT FUSE

DRG. NO.: -PGVCL/KIT-KAT/200A/13

SHEET 8 OF 9





**NOTE:-**

1. WORD 'PGVCL' AND TRADE MARK OF SUPPLIER SHALL BE EMBOSSED BOTH ON FUDE CARRIER AND BASE
2. GENERAL TOLERANCE  $\pm 5\%$  ON LENGTH, WIDTH AND HEIGHT OF THE BODY
3. CENTRE DISTANCE BETWEEN HOLES OF METAL PARTS  
UP TO 50 mm -  $\pm 1$ mm  
ABOVE 50 mm-  $\pm 2$ mm
4. WALL THICKNESS  
UP TO 10 mm-  $\pm 1$ mm  
ABOVE 10mm-  $\pm 1.5$ mm
5. TOLERANCE  $\pm 5\%$  IN CERAMIC PARTS
6. ALL DIMENSIONS ARE IN mm

DISCOM Name:-PASCHIM GUJARAT VIJ COMPANY LIMITED	
GENERAL ARRANGEMENT AND COMPONENTS DRG. FOR 200Amp., 415 VOLTS KIT-KAT FUSE	
DRG. NO.: -PGVCL/KIT-KAT/200A/13	SHEET 9 OF 9