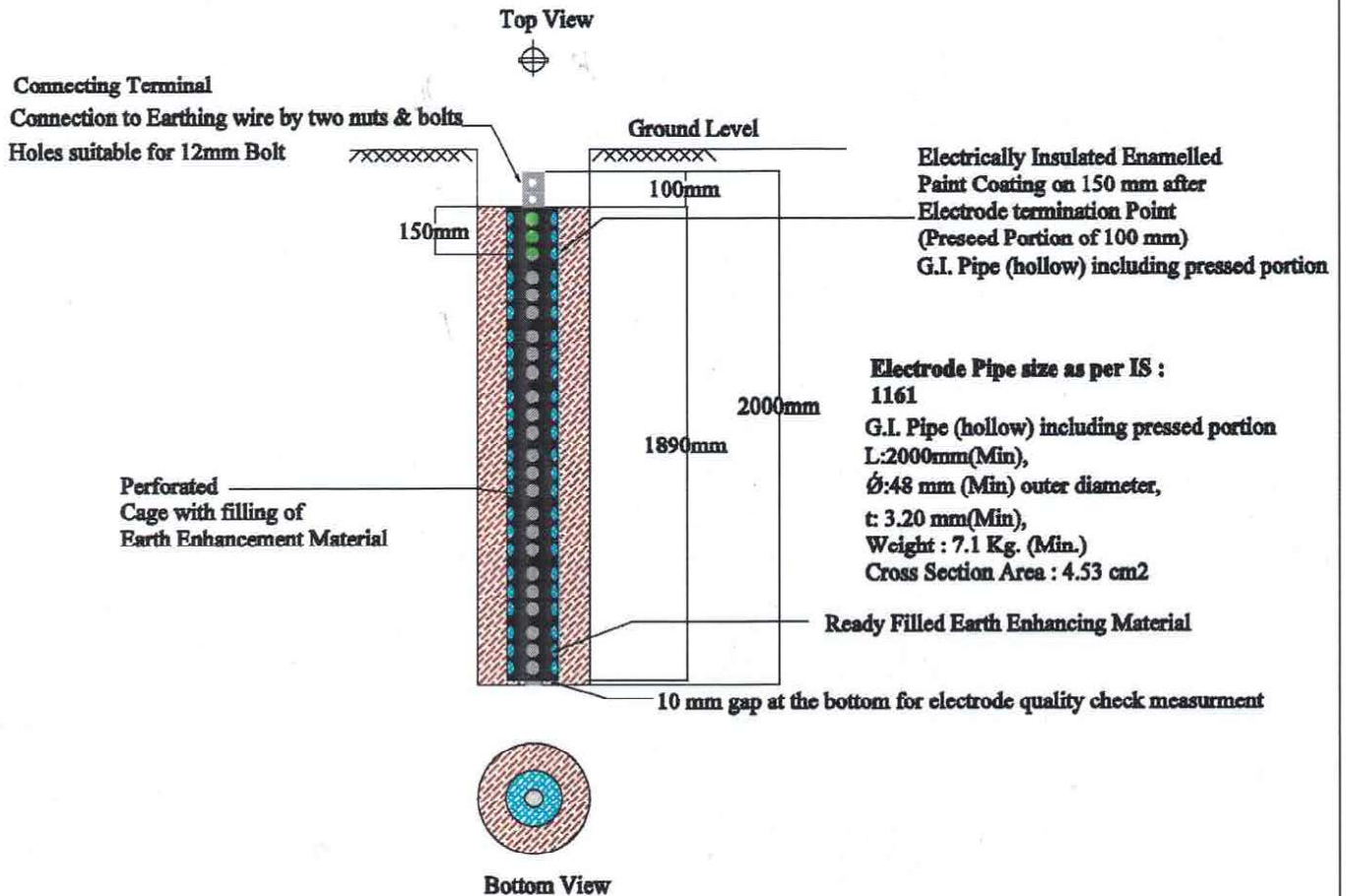
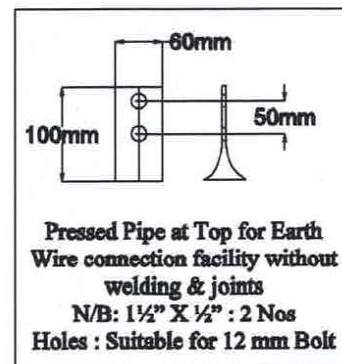


Drawing No.: GPRD-16

Maintenance Free, Eco-Friendly Ready Capsule - Pipe in Cage type 2000 mm Earthing



	MAIN ELECTRODE	PERFORATED Cage with Backfilling
DIA.	48mm	150mm
LENGTH	2000mm	1890mm



Gujarat Power Research & Development Cell, GUVNL, Gandhinagar		
Project : Maintenance Free, Eco-Friendly Ready Capsule - Pipe in Cage type 2000 mm Earthing		
Prepared By:	H.M.Sakariya, JE (R&D)	Date : 14/06/2018
Checked By:	D.R.Shah, DE (R&D)	Revision : 0
Approved By:	R B Patel, SE (R&D)	Scale: N.T.S.

