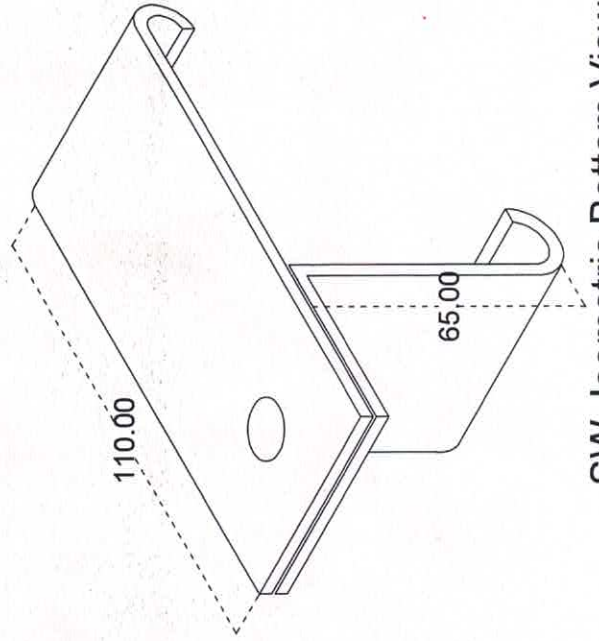
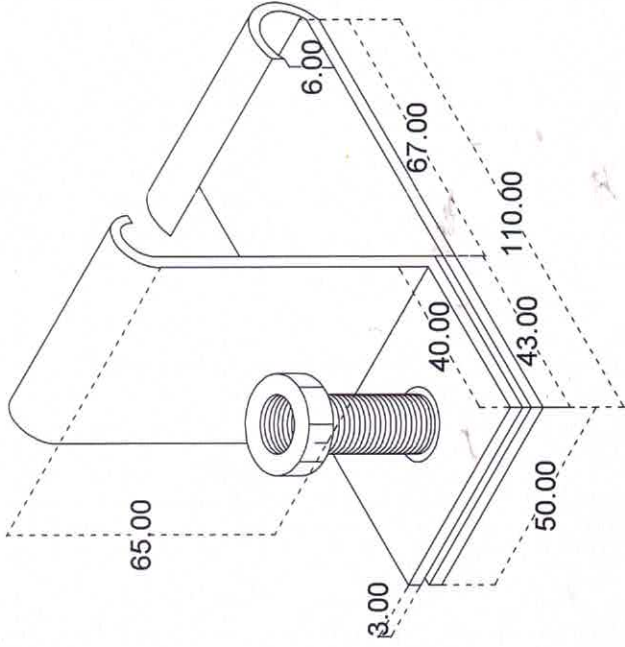


SW Isometric Top View



SW Isometric Bottom View



SE Isometric Top View



Gujarat Power Research & Development Cell, GUVNL, Gandhinagar

Project : Clamp design for Common earthing of HT feeder project

Prepared By: H.M.Sakariya, JE (R&D) Date : 17/10/2018

Checked By: D.R.Shah, DE (R&D) Drawing No.: GPRD-23

Approved By: R B Patel, SE (R&D) Revision : 0