



5I` RD UHZFT JIH S5GL , LDL8P

Z0:80"Vj0 SM5MZB VMO; 4

α5I` RD UHZFT JIH ; DJF ; NGα
, 1DLGUZ4 GFGF DJF DJ. G ZID4 ZFHSMBv#&___\$P

CIN : U40102GJ2003SGC042908

ONG GP s_Z(!fvZ#(_\$Z54Z#(_\$Z*
O\$; GP s_Z(!fvZ#**5! (

JA ; F. 80 www.pgvel.com

DFICTL VIWSFZ VIWIG I DvZ__5

5\$Z6vZ

DFICTL VIWSFZ VG[HFCZ ; 2FDD/MGL

HJFANFZLVMSFI NFGI S, Dv\$s! fsBf

VTU" ! * DNFMGL DFICTL

s5MvV\$8LJ OL:S, MhZf

DgI M<; s! YL ! *f

; 1FD VIWSFZLzL äFZF 5PFI6T SZ[,
sH], F. vZ_Z! VITTGL I:YITV[T{FZ SZ[,
5MvV\$8LJ OL:S, MhZ TFP#! q_*qZ_Z! VITT



VG\$PI6SF

VG GP	IJUT s\$, Dv\$s! fsBf	5FG GAZ
!	; \YFGL IJUTM SFI MVG[OZHf]	#
Z	VIWSFZLVMVG[SDRFZLVMGL ; 2f VG[OZHM	*
#	IG6' , pFGL 5 S f TPh IGI 4+6 VG[HJFANFZL DF8GL jI J:YF	! 5
\$; \yffGL SFDULZL ; AWT GLTL IGI DMq ; ZSFZGL IJIJW I MHGFVM	! *
5	SFI MSZJF DF8GF IGI DM/IJIGI DM ; RGFVM IGI D; UCMTYF NOTZM	! (
&	; \YFGF IJIJW S1FFGF N: TFJ MG 5+S	Z_
*	HFCZ HGTFGF 5ZFDX"\$SFZF IGIT 30TZ DF8GL jI J:YFGL IJUTM	Z!
(; \YF \$ZF ZRFI , AM45IZ0FN4 ; IDIT VG[VgI ; \YFVMG 5+S	ZZ
)	VIWSFZLVMTYF SDRFZLVMGL DFICTL 5]:TSF	Z\$
! -	IJIGI MUDF HFUJF. SI F"5DF6[J/TZGL 5wWIT ; ICT TGF NZ\$ VIWSFZLVMVG[SDRFZLVMG[D/TF DF; S J/TZ	Z*
!!	; :YFG[OF/J, VNFH5+4 TDFD I MHGFVMGM ; }RT BR"VG[SZ R\$J6L VU GL IJUTM	Z(
! Z	; CFI SL SFI \$PM	Z)
! #	; \YF afZF VF5JFDFVfJ , ZFCTM 5ZDL8 S[VIWSIT	#_
! \$	IJHF6}-5[p5, aW DFICTL	#!
! 5	GFUZLSMG[DFICTL D/L ZC[V[C TYL ZLOLU ~D S , FI A ZGL jI J:YF CM TMT[VU GL DFICTL TPh T[VU GL VgI IJUTM	#Z
! &	; :YFGF V , 8 VIWSFZL q HFCZ DFICTL VIWSFZL q DNGLX HFCZ DFICTL VIWSFZLVMGL DFICTLP	##
! *	; \YFGL VgI p5 I MJL DFICTL	#\$



DjI N<; v! sIG I D; Uçv! f

; \YFGL IJUTMSFI M\VG[OZHF[

; :YFGL IJUTM

GFD
; ZGFD]

0 5I` RD UHZFT JLH S5GL , IDL8D
0 ZÒ:80"Vb0 SM5MZB VMO; 4
cc5I` RD UHZFT JLH ; \F ; NGcc4
GFGF DJF D[. G ZM04, 1DLGUZ4 ZFHSMBv#&___\$

CIN

0 U40102GJ2003SGC042908

JÅ; F. 8
; 5S" GAZP
OŞ; GAZ
. vD[,

0 www.pgvcl.com
0)!vZ(!vZ#(_\$Z5vZ* s. 5LALVŞ; fP
0)!vZ(!vZ#(_\$Z(
0 info.pgvcl@gebmail.com

VDFZMöNX

cc ; JMTD ; \F YSL UfCSG[; \TMFcc

, 11

cc: 5WFtDS NZ[IJü; GLI TPH U6Jçf; EZ JLH 5ZJ9M5ZM5F0JMIJTZ6 BMB
JçLS WMZ6 ; \ML W8F0JLcc

DYEJT Dki

- UfCSGM; \TMF4
- ; CEFUL SFI " ; \SIT
- ; \YF DF8[:JtJ VG[; gDFG `FQ9TFP
- G[TS VG[; FDFÒS HJFANFZL 5ÅI [; EFGTFP
- zQ9TFP



SP GAZ	IH<, FGJGFD	SP GAZ	IH<, FGJGFD
!	ZFHSMB	*	DMZAL
Z	HFDGUZ	(EFJGUZ
#	NUEJD äFZSF)	AMBFN
\$	5MZANZ	!_	; ZbNGUZ
5	HGFU-	!!	VDZL L
&	ULZ ; MDGFY	! Z	EJH

p5ZMST TDFD IH<, FDF\UFCSMG[; JD4 zD9 UJ6JTF; EZ JIH 5ZJ9M
TYF JCLJ8L SFDULZL ; Z/ VGJUFCSMG[VGSJ/TF C[T]; Z SJ, ! Z JTJ/
SRZLVMDA IJEFOT SZJFDA VFJL, KP HJ 5SL (JTJ/ SRZLVMGJ
IGI+6 5LÖJL; LVJ, 4 IGUIDT SRZL4 ZFHSMB C9/ K[TYF AFSL \$ JTJ/
SRZLIGJIGI+6 5LÖJL; LVJ, 4 1F+ I SRZL4 EFJGUZ C:TS KP

; :YFGL ; 1F1%T IJUT

1.	Total Area covered by company	109463 sq. km approx.
2.	Population of area covered by company	17.5 million approx.
3.	Total Consumers of company	5483354(As on 31.03.2021)
4.	Corporate Office	1
5.	Zonal Office	1
6.	Total Circles Office	12
7.	Total Regional Store Office	6
8.	Total Divisions Office	45
9.	Total GUVNL Police Station	7
10.	Total Sub Divisions Office	258
11.	Total Sections office	2
12.	Total Employees	15687 as on 31-03-2021



; :YFGL OZHF

- 5LÒJL; LV[, GF SFI 1F+ DAVFJTF TDFD JLH UfCSMG[JLH 5ZJ9M 5ZTF NAF6YL D/L ZC[T[VUJGL jI J:YF SZJLP
- GJF IJH HFDF6MIGI T ; DI DFD/L ZC[T[VUJG\VFIMHG SZJP
- JLH UfCSMGL OZLI FNMGM IGI T ; DI DFI GSF, YFI T[VUJGL jI J:YF SZJLP
- JLH UfCSMG[IGI IDT JLH IA, VF5L TGL J; }, FT SZJLP
- JLH RMZLGF NDF6G[GfTGFAN SZJF ; DI FTZ[JLHR\$LU SZL OLOZGF 8LPVhO OL , M; W8FOJFP

s! f ; Av0LJlhGGA SFI 1F+ VG[OZHF[TDGA SFI 1F+ CØ/ VEJTF TDFD IJH UfCSMG[IGI IDT JLH 5ZJ9M 5ZTF NAF6YL D/L ZC[T[VUJGL jI J:YF SZJLP

- GJF JLH HFDF6MIGI T ; DI DFNDFAD/L ZC[T[VUJG\VFIMHG SZJP
- JLHUfCSMGL OZLI FNMGA IGI T ; DI DFNDFD IGSF, YFI T[VUJGL jI J:YF SZJLP
- JLHRMZLGF NDF6G[GfTGFAN SZJF ; DI FTZ[JLHR\$LU SZL OLOZGA 8LPVhOPOLP , M; W8FOJF
- JLH UfCSMG[IGI IDT JLH AL, VF5L TGL J; }, FT SZJLP

szf GIR[5DF6GL IJUTDFICTL ZFBJIP

- ; A0LJlhG RF,]SI F"TFZLB
- TFAF CØ/GFTE, }FJFZ UFDNGL IJUTsJLHUfCSM; FY[TYF OLOZ 5DF6F
- JLH UfCSMGL ; bI F4 SBUZL 5DF6P
- ; Av:8XGGFAGFD TYF TDFYL IGS/TFOLOZNGFAGFD
- ; Av0LJlhGGATFAF CØ/GF JLH 5ZJ9M 5ZM5F0TF IJ:TFZMGF GSXFP
- ; Av0LJlhGDA SFD SZTF SDRFZLVNGF CMNM 5DF6[8], LONG GAZ ; FYGL DFICTLP
- , F. GG); DFZSFD GJLG , F. G pEL SZJFGMSMh8FS8 TYF 8Fg; OMDZ ZL5ZGM SMh8FS8 IJUZ[VUJGL DFICTL ZFBJIP
- 8\$GLS, 4 DFG; \ FWG4 ZUgI }G[, UTF TDFD ; ZSI], ZMGL OF. , SZL ZFBJIP

; Av0LJlhGGASFI 1F+ GMGSXIP

s! f ; Av0LJlhGGF GSXFVMGL GS, M

- ; A:8XG VG[OLOZMATEJJFP
 - p5ZMST TDFD DFICTL JTY SRZLVM5F; [p5, aW KP



DĢI M<; vZ sIGID; UčvZf

VIWSFZLVMVG[SDRFZLVINGL ; ģF VG[OZHĒ

; \YFDF\8\$GLS, sTFI+Sf4 GF6F\$LI TYF DFGJ; 5NF TYF BZLNL JUZ[AFATMGL
; ģFVM q OĶ, LUĶG VMD 5FJZ S[HĶ[AMO" äZFZ DHZ SZFI Ķ, KP T[DĶA H[T[
:TZGF VIWSFZLqSDRFZLVINGUIDT SRZĻ q 1fĶ+I q JTY/ q IJEFULI SRZĻ q 5BĶ
IJEFULI SRZĻVMD\SF DULZL SZĶKP

IGUIDT SRZĻ4 ZFH\$B

Š: Ķ DĶĶU UFĶ ZP8Z DĒIU0

▪ DĶĶU OFĶ Z\$8Z	0	TDFD IJEFUMGFUJOF TYF TDFD IGIT IJOFĶ S AFATMP
▪ . V[8]VDPOLPsGFĶ A . HGZf	0	8\$GLS, DFUNXGP
▪ 5LVĶ; 8]VDOL	0	DĶĶU OLZ\$8ZzĻGF VUT DNNGLXGL SFDULZLP
▪ HĶGI Z VFĶ ; :8g8	0	5+ jĶ JCFZGL VFJGvHFJGGL GMW6L TYF VgĶ S, ZĻS, SFDP
▪ 5ĶFJF/F	0	5ĶFJF/FGĶ, UTĶSFD

sZf TR+S IJEFU 0

▪ DĶĶ . HGZ s8\$Ķf	0	8\$GLS, IJEFUGĶ JOF TYF JĶH IJTZ6 ; L:8DGĶ ; RF, G VGĶIGEFJP
▪ DĶĶ . HGZ s5MH\$8f	0	; \YF CĶ/GF TDFD ; ZSFZĻ q ALG; ZSFZĻ 5MH\$8GL NĶZĶB TYF VD, LSZ6P
▪ DĶĶ . HGZsD8LZĻI <; f	0	DF, ; FDFGGL BZLNLGĶ, UTL TDFD SFDULZĻ HĶĶ SĶ 8ĶOZGL SFI "JFCL4 :8MZGĶ, UTL TDFD SFDULZĻ
▪ VIWS DĶĶ . HGZs8\$Ķf	0	DĶĶ . HGZ s8\$ĶfGF NĶZĶB CĶ/GL 8\$GLS, IJEFUGĶ, UTL SFDULZĻ
▪ VIWS DĶĶ . HGZs5MH\$8f	0	; \YF CĶ/GF TDFD ; ZSFZĻ q ALG; ZSFZĻ 5MH\$8GĶ, UTL TDFD SFDULZĻ
▪ VIWS DĶĶ . HGZ sVFZPVĶ0 ; LPf	0	ZĶIĶ, BZĻ VGĶSMD; GĶ, UTL SFDULZĻ
▪ VIWFS . HGZ s8\$Ķf	0	VIWS DĶĶ . HGZs8\$ĶfGL NĶZĶB CĶ/ 8\$GLS, TYF JĶO, g; GĶ, UTL IJĶH IJTZ6 ; L:8DGĶ, UTL TDFD SFDULZĻ
▪ SFI 5f, S . HGZ	0	VIWFS . HGZ s8\$ĶfGL NĶZĶB CĶ/ 8\$GLS, AFATGĶ, UTL TDFD SFDULZĻ
▪ GFĶ A . HGZ	0	SFI 5f, S . HGZs8\$ĶfGL NĶZĶB CĶ/ 8\$GLS, AFATGĶ, UTL TDFD SFDULZĻ
▪ HĶGLI Z . HGZ	0	GFĶ A . HGZs8\$ĶfGL NĶZĶB CĶ/ 8\$GLS, AFATGĶ, UTL TDFD SFDULZĻ
▪ I; IGI Z :8ĶMUĶOZ	0	:8ĶMUĶOLGĶ, UTL TDFD SFDULZĻ
▪ HĶGI Z :8ĶMUĶOZ	0	:8ĶMUĶOLGĶ, UTL VFGĶFFĶUS SFDULZĻ
▪ I; IGI Z VFĶ ; :8g8P	0	NZBF: TGĶ, UTL S, ZĻS, SFDULZĻ
▪ HĶGI Z VFĶ ; :8g8P	0	IJEFUGĶ, UTL 5+jĶ JCFZ VFJG HFJGGL GMW6L ; CLTGL TDFD S, BZĻS, SFD
▪ NOTZĻ	0	SRZĻGĶ, UTL IJĶW Z\$OGL HF/ J6L TYF TGĶ, UTL VFGĶFFĶUS SFDULZĻ
▪ 5ĶFJF/F	0	5ĶFJF/FGĶ, UTĶSFD



s#f IJØ, g; IJEFU

▪ SFI 5F, S . HGZ	0	VIWS Dbl . HGZs8Sf TYF VIW1FS . HGZ s8SfGL IGUFGL CÞ/ . g:8M, XG RSLU JIH RMZLG[V8SFJJL4 JIH RMZL 5S0JL4 5FYIDS T5F; SZJL IJUZI SFDULZLP
▪ GFI A . HGZ	0	SFI 5F, S . HGZ sIJØ, g; f NBZB CÞ/ RSLU TYF ZL5MBLUG[, UTL SFDULZLP
▪ HJGI Z . HGZ	0	JLHL, g; IJEFUG[, UTL VFGÞFFIUS SFDULZL
▪ HJGI Z VFI; :8g8P	0	IJEFUG[, UTL 5+jI JCFZ VFJG HFJGGL G MW6L ; CLTGL TDFD S, ÞZLS, SFD

s\$F BZLN IJEFUo

▪ VIW1FS . HGZsD8LPf	0	BZLN IJEFUG[, UTL TDFD SFDULZL
▪ SFI 5F, S . HGZ	0	VIW1FS . HGZGF NBZB CÞ/ D8LZLI , GL BZLNIGF 8ÞOZ 5JŠI F IJUZI
▪ GFI A . HGZ	0	. g:5SXG4 D8LZLI , :8MS HF/J6L JUZI SFDULZL
▪ HJGI Z . HGZ	0	8ÞOZ 5JŠI F4 TYF VFGÞFFIUS SFDULZL
▪ I; IGI Z :8GMJFOZ	0	:8GMJFOZG[, UTL TDFD SFDULZLP
▪ I; IGI Z VFI; :8g8P	0	NZBF: TG[, UTL S, ÞZLS, SFDULZLP
▪ HJGI Z VFI; :8g8P	0	IJEFUG[, UTL 5+jI JCFZ VFJG HFJGGL G MW6L ; CLTGL TDFD S, ÞZLS, SFD
▪ 5TFJF/F	0	5TFJF/FG[, UT, SFD

s5f ZÞI, ÞZL VG[SMD, IJEFU

▪ VIW1FS . HGZs VFZPVÞO ; Lf	0	VIWS Dbl . HGZsVFZPVÞO ; LfGF NBZB CÞ/ ZÞI, ÞZL VG[SMD, G[, UTL TDFD SFDULZL
▪ SFI 5F, S . HGZ	0	VIW1FS . HGZsVFZPVÞO ; LfGF NBZB CÞ/ ZÞI, ÞZL VG[SMD, G[, UTL TDFD SFDULZL
▪ GFI A . HGZ	0	SFI 5F, S . HGZsVFZPVÞO ; LfGF NBZB CÞ/ ZÞI, ÞZL VG[SMD, G[, UTL SFDULZL
▪ HJGI Z . HGZ	0	VFZPVÞO ; L G[, UTL VFGÞFFIUS SFDULZL
▪ I; IGI Z VFI; :8g8P	0	NZBF: TG[, UTL S, ÞZLS, SFDULZLP
▪ HJGI Z VFI; :8g8P	0	IJEFUG[, UTL 5+jI JCFZ VFJG HFJGGL G MW6L ; CLTGL TDFD S, ÞZLS, SFD
▪ 5TFJF/F	0	5TFJF/FG[, UT, SFD

s&f I; IJ, VG[AFWSFD IJEFU

▪ VIW1FS . HGZsI; IJ, f	0	S5GLGF I; IJ, AFWSFDG[, UTF 5MÞ8G[VD, LSZ6GL SFDULZL
▪ SFI 5F, S . HGZ	0	VIW1FS . HGZIGL NBZB CÞ/ H[T[SRZLDF AFWSFD q IGEFJ qDZFDT TYF 1F[+I SRZLVINGL AFWSFD q EFOF SZFZG[, UTL SFDULZLP
▪ GFI A . HGZ	0	H[T[SRZLDF AFWSFD qDZFDT G[, UTL SFDULZL
▪ HJGI Z . HGZ	0	I; JL, JSÞ IGEFJ qDZFDTG[, UTL VFGÞFFIUS SFDULZL
▪ I; IGI Z VFI; :8g8P	0	IJEFUG[, UTL S, ÞZLS, SFDULZLP
▪ HJGI Z VFI; :8g8P	0	IJEFUG[, UTL 5+jI JCFZ VFJG HFJGGL G MW6L ; CLTGL TDFD S, ÞZLS, SFD
▪ 5TFJF/F	0	5TFJF/FG[, UTL SFDULZLP



s*f S5GL ; 5BZL q, LU, IJEFU

▪ S5GL ; 5BZL	0	S5GLWFZFG[, UTL AFATMG VD, LSZ6qDFUNXG TYF , LU, S; M ; DFWFGGL SFDULZLG[NBZB
▪ SFI 5F, S . HGZ	0	S5GL ; 5BZLGF NBZB C; / , LU, S; M ; DFWFGGL SFDULZG[, UTL TDFD VFGDFIUS SFDULZL
▪ SFI NF VIWSFZL	0	1[+I SRZLVMGF SM" S; MqNZBF: TM5Z NBZB TYF T[VUJL SFDULZLV M
▪ I ; IGI Z VFI ; :8q8P	0	IJEFUG[, UTL S, ZLS, SFDULZP
▪ HJGI Z VFI ; :8q8P	0	IJEFUG[, UTL 5+J IJCFZ VFJG HFJGGL GMW6L ; CLTGL TDFD S, ZLS, SFD
▪ 5TFJF/F	0	5TFJF/FG[, UTL SFDULZP

s(f DFGJ ; 5NF IJEFU

▪ VIWS HGZ, DGHZ sVRVfzf	0	DFGJ ; 5NF IJEFUDF EZTL4 A-TL4 IX:TEUGF IJQFI S S; M ; ZSFZL ; NEDFASDRFZL IJQFI S AFATM TF, LD4 VFMMUS ; AWMJUJZ[NBZB G[, UTL SFDULZLPP
▪ GFI A DCF5AWS SDFP; f	0	o :8FO ; 5V5q OZLIFnq IJGIG G[, UTL SFDULZL VG[VIWSFZLq SDRFZLV M p5Z , JFDFAVFJTF IX:TEUGF 5U, FVMG; :5XG , UTL VFGDFIUS SFDULZL4 VFD4p5ZMST TDFD SFDULZL 5Z NBZB VG[IGI +6P
▪ GFI A DCF5AWS sVFP; f	0	o SDRFZLVMGF 5UFZ AFW6L4D;LS, AL, M UH1I. 8L45qXG4ZHfVM ; JF5MYL GMW4VGVM; L 5F; 5NBG[, UTL VFGDFIUS SFDULZL4 o ; IJ" q , AZ DBZG[, UTF CF. SMGF S; M TYF JTY SRZL C; /GF VF. 8L4 , AZ TYF ; LJL, G[, UTF S; MG; S, GP4VFZ8LVF. V58vZ__5G[, UTL ; S, GqCLJ8L SFDULZL4JSDG S;5q; XG V58 !)Z# TYF , WJTD JTG WFZM !)\$(VgJIGL SFDULZL4 VM/B5+G[, UTL SFDULZL4 SDRFZLVMG[VF5JFGF YTF IJGOM" VF8LS, 4XD8L ; h4 UDAB JUJZGL SFDULZL4VIWSFZLqSDRFZLGF BFGUL VCJF, 4 DMAF. , ; IPIPO ; LD SFOG[, UTL SFDULZL4 IJIJW SPZGL ZM8ZG[, UTL SFDULZL4prRTZ 5UFZ WMZ6G[, UTL SFDULZL4BFTFSLI 5ZL1FF4 8LPVPAL, Mq V; 8L; Lq CMD8fpG , UTL VFGDFIUS SFDULZP o VIWSFZLqSDRFZLGF VF5JFDFAVFJTL TF, LDG[, UTL SFDULZL4 UJD;8 ZDZg; G[, UTL SFDULZL4P4M. ZF. 8 VMD 5; G; JLY 10; IAI, 8L; V58vZ_! & VTUT G[, UTL UJLg; IZ0; , VMO; Z TZLS[SFDULZL VFD4 p5ZMST TDFD SFDULZL 5Z NBZB VG[IGI +6...
▪ VFMMUS ; AWS VIWSFZL	0	GFI A DCF5AWSsVFP; fGL NBZB vIGI +6 C; / GLR[D]HAGL SFDULZL P o ; IJ" q , AZ DBZG[, UTF CF. SMGF S; M TYF JTY SRZL C; /GF VF. 8L4 , AZ TYF ; LJL, G[, UTF S; MG; S, GP o VFZ8LVF. V58vZ__5 G[, UTL ; S, G qCLJ8L SFDULZL4 JSDG S;5q; XG V58 !)Z# TYF , WJTD JTG WFZM !)\$(VgJIGL SFDULZL4 VM/B5+G[, UTL SFDULZL4SDRFZLVMG[VF5JFGF YTF IJGOM"VF8LS, 4 XD8L; h4 UDAB VFGDFIUS SFDULZP
▪ DCSD VIWSFZL sHGZ, f	0	GFI A DCF5AWSsVFP; fGL NBZBvIGI +6 C; / GLR[D]HAGL SFDULZL P o VIWSFZLqSDRFZLGF BFGUL VCJF, 4 ZM8Z ; 5S"VIWSFZL TZLS[IJIJW SPZGL ZM8ZG[, UTL TDFD SFDULZL4 BFTFSLI 5ZL1FFq prRTZ 5UFZ WMZ6G[, UTL VFGDFIUS SFDULZL4VIWSFZLqSDRFZLGF VF5JFDFA VFJTL TF, LD4 ; IPIPO; LDSFO4UJD;8 ZDZg; G[, UTL SFDULZL4 , F. A;ZL VG[ODGHLD



▪ DCSD VIWSFZL sVRVFZf	0	GFI A DCF5\AWSsDFP; fGL NBZBvIGI +6 CØ/ GLR[DHAGL SFDULZIP ○ VIWSFZL qSDRFZLVMP5Z , JFDVVFJTF IX:TEUGF 5U, FVMGL TDFD SFDULZL4 ○ OZLIFNGI , UTL VZÖVMAFAT[SFDULZIP4
▪ ; CFIS ; IRJ s8ßf	0	○ GFI ADCF5\AWSsDFP; F GF NBZBvIGI +6 CØ/ S5GLDF 8ßGLS , SPZGL A-TL q EZTLGL 5G, GL SFDULZL4 ○ VIWS HGZ, DGHZsVRVFZfGF NBZB CØ/ S5GLDF V, UvV, U SPZGL ; LWL EZTL40% BxG4; LGLI NZL8L4SFI DL4ZFÖGDFM VJ, MBDh84 EZTL VUJL DHZL4Vß JTY SRZLDFYL ALØ JTY SRZLDFYL SDRFZLGL AN, L VUJL DHZL4 EZTL4 VJ5h8L; Vh0 B.O.A.T. GL EZTLP
▪ ; CFIS ; IRJ sGMG 8ßf	0	○ GFI ADCF5\AWSsDFP; F GF NBZBvIGI +6 CØ/ S5GLDF GMGv 8ßGLS, SPZGL A-TL q EZTLGL 5G, GL SFDULZL4 ○ VIWS HGZ, DGHZsVRVFZfGF NBZB CØ/ S5GLDF V, UvV, U GMG 8ßGLS, SPZGF SDRFZLVML AN, L A-TL4 SFI DL4 ZFÖGDFM SFI DL4 VJ, MBDh84 Vß JTY SRZLDFYL ALØ JTY SRZLDFYL SDRFZLGL AN, L DHZL4 . GJ0qVfp8J0q
▪ ; CFIS ; IRJ sVRVFZf	0	GFI ADCF5\AWSsVFP; fGF NBZBvIGI +6 CØ/ S5GLGF SDRFZLVML ZHF4 . HFOM VGPVMP; LP5F; 5MBGL SFDULZL45LP8LPSFDNFZ4 VJ; PJLP VFZPOLPALP VP4 5UFZ AL, VGJ TGL VFGJFIUS SFDULZL HJL SP UfIV8L4 5hXG4 ; LP5LPVP4 RHF" VMOZ4 ; :5hX Vßfpg84 . gSD 8lf4 DPLS, AL, q DDSL, VPJf; 4 JkOZ4 DZL8 VJMO45LPALPVF. PVJ; GL SFDULZL4VGPVP5LPVJ; GL SFDULZL
▪ ; CFIS ; IRJsVF. VFZf	0	DCSD VIWSFZLsVRVFZfGL NBZB CØ/ SDRFZLVML IX:TEU 5U, FVM ; :5XG GL SFDULZL45ZDGBq8h5ZZL . gD5f; 4 DIC, F HFITI ; TFD6L VUJL OZLIFN VZÖVM VUJL SFDULZL4 UHZFT TSJFZL VFI MUDFYI J, OZLIFNqZHJFT VUJL SFDULZL4 IIGIGGF 5j GMVqI OZLIFNGI , UTL SFDULZIP
▪ VIWIFS sDCSDf	0	DCSD VIWSFZL sHGZ, fGF NBZB CØ/GL VIWSFZLqSDRFZLVMLG IJLJW SPZGL ZM8ZGJ, UTL TDFD SFDULZL4 BFTFSLI 5ZL1ffq prRTZ 5UFZ Wm6 VIWSFZL q SDRFZLGJ VF5JFDF VJTL TF, LD4 ; LPI PÖP; LDSf04UJDh8 ZPZg; GJ, UTL VFGJFIUS SFDULZIP
▪ GFI A VIWIFS sDCSDf	0	○ GFI A DCF5\AWSsDFP; fGL NBZBvIGI +6 C9/ SRZLVML :8FO ; BvV54 SRZLVML AFI OZSxG4 AMO" DL8LU4ÖPVJ; PVMZ) 5 CØ/GL NZBF:T VUJL SFDULZIP ○ ; CFIS ; IRJsVF. VFZfGF NBZBvIGI +6 CØ/ VIWSFZLq SDRFZLGF IX:TEUGF 5U, FGM ; :5XG4I JGI GF 5`GM OZLIFN VZÖGJ , UTL SFDULZL , UTL TDFD SFDULZL4
▪ I; IGI Z VFI ; :8g8P	0	NZBF:TMGL S, ZLS, SFDULZIP
▪ HJGI Z VFI ; :8g8P	0	IJEFUGJ, UTL 5+j JCFZ VFJG HFJGGL GMW6L ; CLTGL TDFD S, BZLS, SFD
▪ 5TFJF/f	0	5TFJF/fGJ, UTL SFDULZIP



s) f OFI Gfg; VG[V\$fp8 IJEFUo

▪ DCF 5\AWS sGF6F VG[IC; fAf	0	V\$fp8 4 OFI Gfg; TYF VM08 IJEFUGF JOF
▪ RLO OFI Gfg; DGfHZ	0	S5GLG[, UTF GF6FSLI jI JCFZM BZLNL JIH IJTZ6 ZUjI]VM084 IJIJW , MGGF IC; FAMTYF ZfI , BZL q\$MD; G[, UTF SFDM
▪ Sg8M, Z VMD V\$fp8;	0	5MH\$8; 4 :SfD4VgI BR4VFJS4, MG JUZG[, UTL V\$fp8G[, UTL SFDULZI
▪ 0%I BL RLO V\$fp8; VMO; Z	0	ZLSJZL4 ZUgI]AL<; 4BR*TYF VM08 IJUZG[, UTL SFDULZI
▪ IC; fAL VIWSFZL	0	VFJS4 BR4 VM084 IA, 4 S\X4 8\$; 4 V\$fp8LUG[, UTL SFDULZIP
▪ VIWfS IC; fAGL;	0	p5ZMST SFDULZIG[, UTF IC; fAL VIWSFZLGL AfR Cp/Gl ; AIWT SFDULZLGL NBZB TD H GLEFJP
▪ GFI A IC; fAL VIWfS	0	JWFfGS HJFANFZLsstatutory Liabilitiesf EZ6F SZJF4 VFJSG[, UTF S, [D ZH] SZJF TYF TG[, UTL VFGDFIUS SFDULZI4 BRGF IA, MGL RSF; 6L4 SFIF, I GfW s5Mh, f AGfJL4 JOL SRZL TD H JTY SRZL ; FYTYF 5+MTf FZ SZJF VGITG[HF/J6L SZL GLEFJJP
▪ I; IGI Z VFI; :8g8P	0	IJEFUG[, UTL S, ZLS, SFDULZIP
▪ HIGI Z VFI; :8g8P	0	IJEFUG[, UTL 5+jI JCFZ VFJG HFJGGL GfW6L ; CLTGL TDFD S, BZLS, SFD
▪ 5fJF/f	0	5fJF/fG[, UTL SFDULZIP

s! _f VF. P8LPfMH\$8 IJEFU

SFI 5F, S . HGZ	0	DpI . HGZ s5MH\$8f GL NBZBvIGI +6 Cp/ ; ZSFZ zLGL IJIJW I MHGFG VD, LSZ6 TYF TG[, UTL SFDULZI
GFI A . HGZ HGLI Z . HGZ }	0	SFI 5F, S . HGZ; ZSFZzLGL IJIJW I MHGfGL VFGDFIUS SFDULZI
; L:8D VGF, L:8	0	S5GLDA SZJFfA VFJTL SFDULZIG[W8FOF ; AIWT 5MfD AGfJF TYF VF. 8LGL AfATMG[, UTL SFDULZIP
5MfDZ HIGI Z 5MfDZ }	0	VF. 8L ; AIWT 5MfD AGfJF TYF VFG; FIUS SFDULZI
; LGLI Z VF. PVMVF; LP		SM%I BZ ; AIWT SFDULZI
HIGI Z VF. PVMVF; LP	0	SM%I BZ ; AIWT SFDULZI
5fJF/f	0	5fJF/fG[, UTL SFDULZIP

s! ! f OLVf VP IJEFU

▪ SFI 5F, S . HGZ	0	OLDfg0 ; F. 0 DGfHDf8G[, UTL GJL GJL I MHGF HJL Sfcc pHF, F UfHZFTcc4 ; M, FZ Zp 8M54 TDH ; ZSFZzL TZOYL VFJTL GJL I MHGFG VD, LSZ6G[, UTL SFDULZI
▪ GFI A . HGZ	0	SFI 5F, S . HGZGF NBZB Cp/ sOLVf VP Vfo XP8LGF , UTL SFDULZI
▪ HGLI Z . HGZ	0	OLDfg0 ; F. 0 DGfHDf8G[, UTL GJL GJL I MHGfGL VFGDFIUS SFDULZIP
▪ I; IGI Z VFI; :8g8P	0	NZBF: TMGL S, ZLS, SFDULZIP
▪ HIGI Z VFI; :8g8P	0	IJEFUG[, UTL 5+jI JCFZ VFJG HFJGGL GfW6L ; CLTGL TDFD S, BZLS, SFD
▪ 5fJF/f	0	5fJF/fG[, UTL SFDULZIP



s! Zf ; 08L IJEFUP

▪ SFI 5F, S . HGZ	0	, F. G :8FOGL ; , FDTLG[, UTL SFDULZL HJL S# IJH VS:DFTMG[, UTF TYF S# MGL IJUTJFZ T5F; q VCJF, TYF ; \ uG SFDULZL4 ; , FDTL VU[5RFZ q 5]; FZGL SFDULZLP
▪ GFIA . HGZ	0	SFI 5F, S . HGZGF NBZB C# / IJH VS:DFTMG[, UTF ZS0"TYF S# MGL IJUTMGF VCJF, TYF ; \ uG SFDULZLP
▪ HJGI Z VFI; :8g8P	0	IJEFUG[, UTL 5+j IJCFZ VFJG HFJGGL GmW6L ; CLTGL TDFD S, SZLS, SFD

1F+I SRZL EFJGUZ

▪ Dbl . HGZ	:	1F+I SRZL C# / GF SFI 1F+ GF JOF TYF SFI 1F+ GL 8SGLS, q ZJG I qJCLJ8L SFDULZL
▪ VIWIFS . HGZ	:	Dbl . HGZGL NBZBvIGI +6 C# / 1F+I SRZL C# / GF SFI 1F+ GL 8SGLS, AFATMG[, UTL SFDULZLP
▪ SFI 5F, S . HGZ	:	VIWIFS . HGZGL NBZBvIGI +6 C# / 1F+I SRZL C# / GF SFI 1F+ GL 8SGLS, AFATMG[, UTL SFDULZLP
▪ GFIA . HGZ ▪ HJGI Z . HGZ	} :	SFI 5F, S . HGZGL GL NBZBvIGI +6 C# / 1F+I SRZL C# / GF SFI 1F+ GL 8SGLS, AFATMG[, UTL SFDULZLP
▪ SFI 5F, S . HGZs; LJL, f	:	1F+I SRZL C# / GF SFI 1F+ GF ; LJL, vAFWSFD G[, UTL SFDULZL4EFOF SZFZMG[, UTL SFDULZLP
▪ GFIA . HGZs; LJL, f ▪ HJGI Z . HGZs; LJL, f	} :	SFI 5F, S . HGZs; LJL, fGL NBZBvIGI +6 C# / 1F+I SRZLGF SFI 1F+ GL ; LJL, AFWSFG[, UTL SFDULZL EFOF SZFZMOM, MV5GL IJUZF
▪ GFIA DCF5AWSsDFP; F	:	1F+I SRZL C# / GF SFI 1F+ GL TDFD JCLJ8L SFDULZLVMHJL EZTL A-TL4 5UFZ AL, 4 IX:TEUGF 5U, FVM SIB"S# MG[, UTL AFATMGL SFDULZL
▪ DCSD VIWSFZL	:	GFIA DCF5AWSsDFP; fGL NBZBvIGI +6 C# / 1F+I SRZL C# / GF SFI 1F+ GL TDFD JCLJ8L AFATMGL VFGFFIUS SFDULZL
▪ GFIA VIWIFSsDCSDf	:	GFIA DCF5AWSGL NBZBvIGI +6 TYF DCSD VIWSFZL C# / 1F+I SRZL C# / GF SFI 1F+ GL TDFD JCLJ8L SFDULZLVMHJL EZTL A-TL4 5UFZ AL, 4 IX:TEUGF 5U, FVM SIB"S# MG[, UTL VFGFFIUS SFDULZL
▪ GFIA Dbl IC; FAGLX VIWSFZL	:	1F+I SRZL C# / GF SFI 1F+ GL V#Fpg8; 4 OFI Gfg; TYF VM08 IJEFUGL SFDULZL
▪ I; IGI Z VFI; :8g8P	:	NZBF:TMGL S, ZLS, SFDULZLP
▪ HJGI Z VFI; :8g8P	:	IJEFUG[, UTL 5+j IJCFZ VFJG HFJGGL GmW6L ; CLTGL TDFD S, SZLS, SFD
▪ 5TFJF/F	:	5TFJF/FG[, UTL SFDULZLP



JTY SRZL

▪ VIWIFS . HGZ	: JTY SRZLGF JOF TYF SFI 1ff+ CÞ/GL 8ÞGLS, 4 ZÞgI þ 8L VÞO OL , M, 4 BZLNIGÞ VFJS VG[BR? JCLJ8L SFDULZLP
▪ SFI 5F, S . HGZ q GFI A . HGZ	: VIWIFS . HGZzLGL NBZÞ CÞ/ H[T[JTY SRZLGF SFI 1ff+ DF VFJTL 8ÞGLS, AFATMG[, UTL SFDULZLP
▪ GFI A . HGZSI/c Squard)	: . g:8M, XG RÞLU4JLH RMZL 5S0JL TYF TÞG[, UTL VFGÞFFIUS SFDULZLP
▪ HJGI Z . HGZ	: SFI 5F, SqGFI A . HGZGL NBZÞvIGI +6 CÞ/ 8ÞGLS, AFATMG[, UTL VFGÞFFIUS SFDULZLP
▪ GFI A . HGZs; LJL, f ▪ HJGI Z . HGZs; LJL, f	: JTY SRZL CÞ/GF ; LJL, vAFWSFDGÞEFOF SZFZNGL SFDULZL , UTL SFDULZL TYF VgI VFGÞFFIUS SFDULZLP
▪ IC; FAL VIWSFZL	: JTY SRZL CÞ/GF SFI 1ff+ GÞZÞgI þ BR"VÞFpg8; AL, LU IJUÞG[, UTL SFDULZLP
▪ VIWIFSSVFJSF	: JTY SRZLGF SFI 1ff+ GL VÞFpg8; TYF ZÞgI ÞG[, UTL VFGÞFFIUS SFDULZLP
▪ ; CFI S ; IRJ	: JTY SRZLGF SFI 1ff+ CÞ/GL TDFD JICJ8L SFDULZLVMHÞL S[EZTL4 A-TL4AN, L SDRFZLVNGF 5UFZAL, 4IX:TEUGF 5U, FVMZM:8ZG[, UTL4 DÞLS, AL, M IJUÞ[VFGÞFFIUS SFDULZL
▪ GFI A VIWIFSSDCÞDF	: ; CFI S ; IRJGF NBZÞvIGI þ6 CÞ/GL JCLJ8L SFDULZLVIPP
▪ ; CFI S SFI NF VIWSFZL	: JTY SRZLVNGF SMÞSÞ; M TYF TÞG[, AIWT AFATM5Z NBZÞ
▪ HJGI Z 5ÞÞFDZ	: JTY SRZLGF SFDULZLDF SMÞÞ ÞZ VÞ, LSÞGq5ÞÞFD AGFJF TYF VD, LSZ6 AFATM
▪ NOTZL	: SRZLGF, UTF IJLJW ZÞ0GL HF/J6L TYF TÞG[, UTL VFGÞFFIUS SFDULZLP
▪ I; IGI Z VF; L:8g8 q SÞLLI Z	: ; AIWT IJEFUG[, UTL S, ÞLS, SFDULZLP
▪ HJGI Z VF; L:8g8	: IJEFUG[, UTL 5+jI JCFZ VFJG HFJGGL GÞW6L ; CLTGL TDFD S, ÞZLS, SFD
▪ 5ÞFJF/F	: 5ÞFJF/FG[, UTL SFDULZLP



I JEFULI SRZL

▪ Srfbr; s .HGZ	: DfULI SRZLGF JOF TYF SFI 1ff+ C@/GL 8\$GLS, 4 ZUgI 8L VgO OL , M, GL SFDULZL4BZINIG[, UTL SFDULZL TYF VFJS VG[BR4 JCLJ8L SFDULZL
GFI A . HGZ HGIZ . HGZ	: SFI 5F, S . HGZGL NIBZB C@/ H[T[IJEFULI SRZLGF SFI 1ff+ DF VFJTL 8\$GLS, AFATMG[, UTL SFDULZL NZBF: TMGL RSF; 6L TYF OM, MV5 IJUZ[
▪ GFI A . HGZsl/c Squard)	: . g:8M, XG RSLU4JLH RIZL 5S0JL TYF TG[, UTL VFGDFFIUS SFDULZL
▪ VIW1FSsVFJSqBRF	: IJEFULI SRZLGF SFI 1ff+ GL V\$fpq8; TYF ZUgI G[, UTL VFGDFFIUS SFDULZLP
▪ GFI A VIW1FSsDC\$DF	: IJEFULI SRZLGF SFI 1ff+ C@/GL JCLJ8L SFDULZLVM HJL S# 5UFZAFW6LqR\$J6L4 DPLS, AL, M 8LPVPAL, M IJLJW 5FMh, HJL S# 8DLG, AGLOL84 , MG 45qXG4 SDRFZLGF ; JL, AFATGGL IGEFJ6L IJUZ[VFGDFFIUS SFDULZL
<ul style="list-style-type: none"> ▪ DL8Z . g:5\$8Z ▪ DL8Z 8f:8Z ▪ DL8Z DLSGLS ▪ ; LGLP8\$GLxfI G 	: , ANBZL4 DL8Z . g:5\$XG4 RSF; 6L4 8f:8LUG[, UTL SFDULZLVM
▪ ; LGLI Z VF; L:8g8 SXLIZ	: ; AIWT IJEFUG[, UTL S, ZLS, SFDULZL
▪ HJGI Z VF; L:8g8	: IJEFUG[, UTL 5+JI JCFZ VFJG HFJGGL GMI6L ; CLTGL TDFD S, \$ZLS, SFD
▪ 5TFJF/F	: 5TFJF/FG[, UTL SFDULZLP
▪ JMRDG	: JMRDG TZLSGL SFDULZLVM

5BF IJEFULI SRZL

▪ चायभ फिजेरे	: खे,ने,पेडा IJEFULI SRZLGF SFI 1ff+ C@/GF JCLJ8L JOF VG[8\$GLS, 4 AL, LU TYF JLH IJTZ6 ; L:8DG; RF, G VG[IGEFJ4 UFCSMGL ;]JWF4 TYF IJLJW ; ZSFZGL IMHG C@/ JLH HFDF6 VF5JFGVD, LSZ6 G[, UTLP
▪ HJGI Z . HGZ	: H[T[5BF IJEFULI SRZLGF SFI 1ff+ DF VFJTF VR8LqV[, 8L , F. G TYF OL:8kaI XG 8Fg; OMDZGL HF/J6L TYF IGEFJ4 UFCSMGL OZLI FNMG] IGJFZ64 GJF JLH HFDF6M VF5JF4 HJL HJL IMHGFVM C@/ JLH IJTZ6 5wWITGF DF/BFDFV JWZFGL , F. GM8Fg; OMDZ pEF SZJF AFATP
▪ GFI A VIW1FSsVFJSf	: H[T[5BF IJEFULI SRZLGF SFI 1ff+ C@/GL ZUgI G[, UTL TDFD SFDULZLP
<ul style="list-style-type: none"> ▪ I; LGLI Z VF; L:8g8 ▪ HJGI Z VF; L:8g8 	: H[T[5BF IJEFULI SRZLGF SFI 1ff+ C@/GL JCLJ8L TDPH UFCSMG[, UTL SFDULZLVM/SDRFZLVINGL CFHZL4 5UFZ 4ZHf4 EyYFVM ZUgI G[, UTL AL, LUGL SFDULZL4 UFCSMGF JLH SG\$XG , UTF SMB'Sf; MGL VFGDFFIUS SFDULZLVM
▪ ; JI Z	: H[T[5BF IJEFULI SRZLGF SFI 1ff+ C@/GF GJF IJH SG\$XGGF ; JG[, UTL SFDULZLP
<ul style="list-style-type: none"> ▪ , F. G . g:5\$8Z ▪ , F. GDG ▪ VF; L:8g8 , F. GDG ▪ . , \$8ES, VF; LPsCk5Zf 	: H[T[5BF IJEFULI SRZLGF SFI 1ff+ C@/GL , F. G Dq8Gg; 4 OL; SG\$XG4 JLH OZLI FNMA IJUZ[AFATGL 8\$GLS, SFDULZLP
▪ 5TFJF/F	: 5TFJF/FG[, UTL SFDULZLP
▪ JMRDG	: JMRDG TZLSGL SFDULZLVM

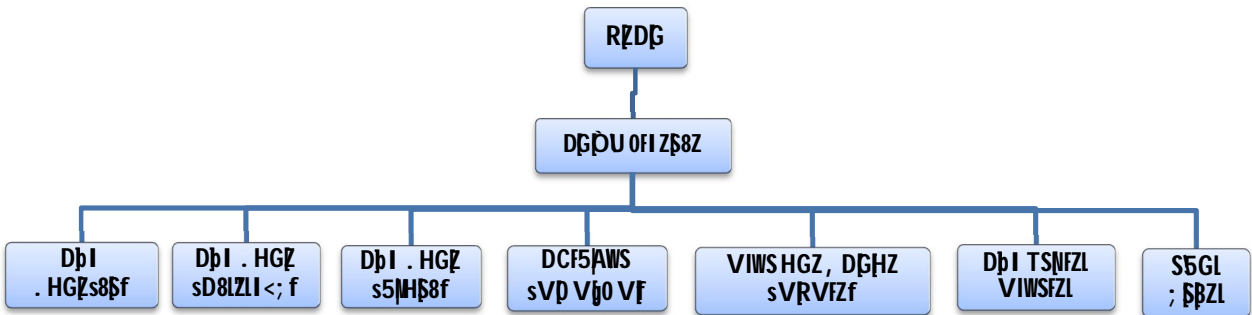


DpI M<; v# sIGID; Ucv#f

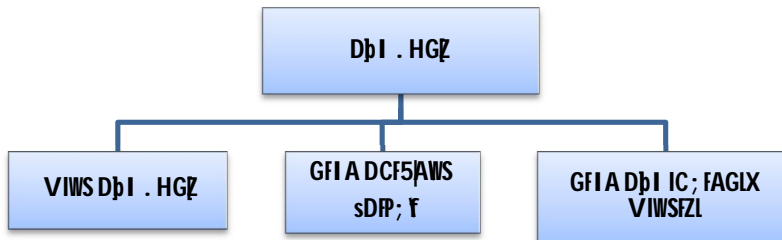
IG61 , pFGL 5|S| F TPDH IGI 6 VG[HJFANFZL DF8GL
jIJ:YFP

5I`RD UHZFT JIH S5GL ,IDL8D TFP_!P_\$PZ__5YL SFI`ZT YI|, KP
; \YFGF C[T]MMI; wW SZJF DF8[H]NF HNF SDRFZLVM; AWL IG61 M, pF DF8[TPDH
H[T[VIWSFZL q SDRFZLVMG[HJFANFZL ; M5JF VUJGL GLR[5DF6G]; \YFSLI
DF/B]Tq FZ SZJFDF\VFJ|, KP

s! f IGUIDT SRZL

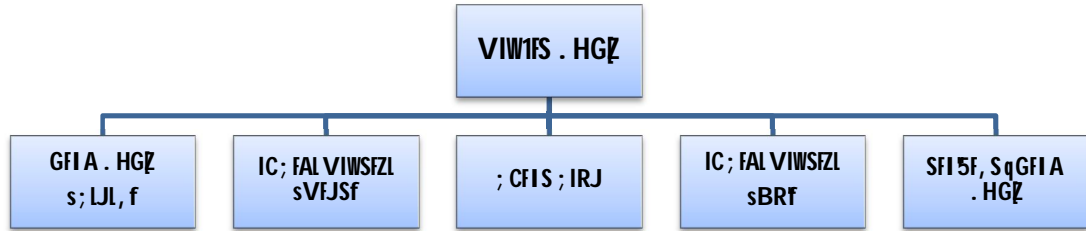


Zf 1f|+ I SRZL4 EFJGUZ

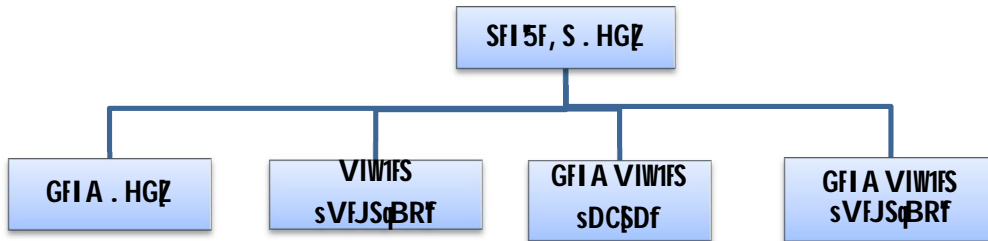




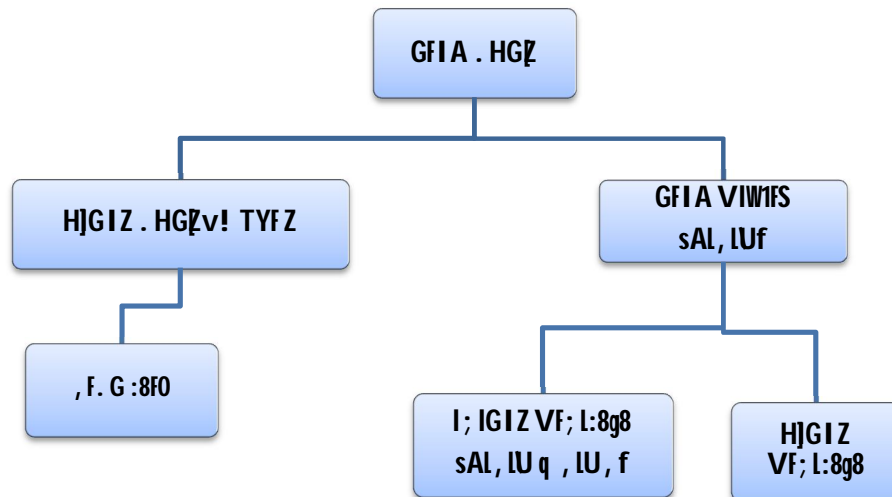
#f JTV SRZL



s\$f IJEFULI SRZL



s5f 5Bf IJEFULI SRZL





DhI N<; v\$ sIG I D; Uçv\$f

; \yFFGL SFDULZL ; AWT GLTL IGI DMq ; ZSFZGL IJLJW I MHGFVM

; \YFV[TDGL JLH IJZ6GL SFDULZL ; Rf~56[SZ[TYF ; ZSFZGL IJLJW I MHGFVM VgJI [SIOF1F+ # WZJ5ZFX 1F+ 4JFI6HI 1F+ # VFMMUS 1F+ U6JTF ; EZ JLH/L D/L ZC[T]IGI T SZJFG\K[

; \YFGF TDFD VIWSFZLVM\$DRFZLVM T\MGL SFDULZL tJZLT56[AHFJ[T]L V5]FF ZFBJFDF\VFJ[KP

GFDNFZ UHZFT . , §8E; l8L Z]I], BZL SIDXG äZF JLH VIWIGI DvZ__# CÞ/ DF5NOM {Standard of Performance-(SOP)} GSSL SZFI], K[H[; \YFGL J]A; F. 8 www.pgvcl.com 5Z D\$JFDF\ VFJ], K[TYF U]CS VIWSFZ 5+ (Consumer Charter) 56 ; \YFGL J]A; F. 8 5Z p5, aW KP



DhI M<; v5 sIGI D; Uçv5f

SFI MSZJF DF8GF IGI DM IJIGI DMVG[; RGFVM IGI D ; UÇ TYF NOTZM

HIFZ[UHZFT IJnT AMO" SFI ZT CT\ tIFZ[SFDULZL SZJF VUçF IJIJW IGI DM IJIGI DM ; RGFVM IJUç[30JFDF\ VFJ[, TYF UHZFT pHF" IJSF; IGUD , LDL8p äFZF JBTUJBT TDF\ ; WZFvJWFZF ACEZ 5FOJFDF\ VFJ[KP H[DHA CF, DF 5I`RD UHZFT JIH S5GL , LDL8p SFDULZL SZ[KP H[; \YFV[AMOGF TFP! #P! ZPZ__ \$ GF\9ZFJ SDF8 (P)q** YL :JLSFZI[, K[VG[T[DHA GLR[DHAGFDpI tJ[IGI DqI JIGI DM Cç/ VF ; \YF SFDULZL SZ[KP

s! f GMSZIGF IGI DM(Service Rules)

; \YFGF SDRFZLVM DF8[GMSZL TYF IX:TGF\ IGI DM 5]:TS :J~5[ACEZ 5FO[, KP

sZf DhI M<; (Establishment Manuals)

; \YFGL SFDULZL IJIJW 5|S|F DF8[DhI M<; äFZF DFUNXG VF5JFDF\ VFJ[, K[T[VG]; FZ IJIJW SFDULZLVMCFY 3ZJFDF\VFJ[KP

s#f HGZ, :8ç0LU VMZ (G.S.O)

IGI FDS D0/ äFZF ; \YFGL SFDULZL VU[H[IG6'M , çFDF\VFJ[K[TGF VD , DF8[HGZ, :8ç0LU VMZ ACEZ 5FOJFDF\VFJ[KP

s\$f 5IZ5+ (Circulars)

; \YFGL SFDULZL ; AIWT ; RGFVM :508TFVM DFUNXG DF8[5IZ5+M ACEZ 5FOJFDF\VFJ[KP

JCLJ8L 5IZ5+M VçFpg; 5IZ5+M JIH JLTZ6 5IZ5+M TYF SMDXLI , 5IZ5+M SM5MçB SRçLVYL ACEZ 5FOJFDF\VFJ[K[VG[T[TDfD 1fI+I SRçL4 JTç/ SRçL4 IJEFULI SRçL4 5çF IJEFULI SRçLV|p5, aW KP



5f ; IJ" AŞqVUT OF. , 4 BFGUL VCÜF, M ; LGLI MZL8Lo

; \YFGF SDRFZLVMGL ; IJ" AŞ4 VUT OF. , 4 BFGUL VCÜF, M TYF
; LGLI MZL8L , L:8 ; AIWT SRZLVMäZFZ ZFBJFDF\VFJ[KP

s&f SM8FS8 o

; \YF äZFZ V5FI[, IJIJW SM8FS8 AFATGL IJUTM ; AIWT SRZL BFT[
ZFBJFDF\VFJ[KP I; IJ, SFDULZLGF\IXOI], VMD ZB; sS.O.R.)4 8ŞGLS,
:5XLOLSXG SM8FS8 q 8ÿOZGL HGZ, XZTM IJUZ[AFATGF\NOTZM 5]:TS
:J~5[ZFBJFDF\VFJ[KP

s*f VŞfpg8; (G.S.O)

; \YF äZFZ VŞfpg8 DÿI M, 4 VŞfpg; :8BDÿ84 JFpRZIM ZÒ:8ZIMVM08
ZL5NB; 4 DDMZÿOD VMD VF8LS<; VMD Vÿ M; LXLVXG JUZ[N:TFJHF[qZŞO"
IGEFJJFDF\VFJ[KP



DhI M<; v&slG I D; Uçv&f

; \YFGA IJWvS1FFGAN:TEJHFGL5+S
; \YFGF DCtJGAN:TEJHFGL I FNL GIR[D]HA KP

VGP GAZ	N:TEJH	N:TEJH SMGF IGI v-6DAKP
1	JCLJ8L 5IZ5+M HGZ, :8h0LU VMDZ4 V[8Fa, LXDh84 DhI M, 4 JCLJ8L 5ZL5+MGMZLGFVIGI DM ; JL" AŞ4 VUT OF. , 4 ; LGLI MZL8L I FNL JUZI	; AIWT I]G8GFAJCLJ8L IJEFU Cp/
Z	VŞfpg8; o VŞfpg8; 5IZ5+M VŞfpg; 4 ZÖ:8ZIM :8Bdh84JfpRZIM VMOL8 ZL5MB"; JUZI	; AIWT I]G8GFAVŞfpg8; IJEFU Cp/
#	8ŞGLS, IJH IJTZ6 qSMDXLI , 5IZ5+MSMh8FS8 ; AIWT ZŞ04 IX0I], VMD ZB; 4 8ŞGLS, :5XLOLSXG4 XZTMJUZI	; AIWT I]G8GFA8ŞGLS, IJEFU Cp/
\$	S5GL ; AIWT DPMZhOD VMD VF8LS<; 4 9ZFM , LU, 4 5ZL5+M ZL8g; 4 JUZI	S5GL ; ŞBZL



DhI M<; v*sIGID; Uçv*f

HFCZ HGTFGA5ZFDX"äFZF IGTl v30TZ DF8GL jI J:YFGL IJUTM

; \YF äFZF UfCSMG[V5TF JLH I]G8GFANZ s8ZLOF TYF ; JWFZM/JWFZM UHZFT JLH IGI DG
5R {G.E.R.C.} äFZF IJlJW ; \YFGF UFGF TYF HFCZ HGTFGA5]TIGIWtJ ; FE/LGATMM
; FY[5ZFDX"SZLG[GSSL SZJFDFVfJ[KP TGF ~<; VG[ZüI], XG4 GMBLOLSXG TGL VIWST
JA; F. 8 www.gercin.org. p5Z p5, aW KP



DhI M<; v (sIG I D; Uçv (f

; \YF äZF ZRFI [, AM4 5IZQFN4 ; IDIT VG[Vgl ; \YFVING]5+S

; \YFGFIRIGI FDS D0/ äZF IGITIJQFI S IG6IM, [JFDAVEJ[K[; \YFGFIRIGI FDS D0/GA
; eIMGLR[DHA KP

AM"VMD OFI ZS8; "

VG] GP	; eIGJGD	CMM
1	zLDTL XFCDLGF C; G sVF. PVPV; f	RZDGzL
2	OMP WLDVSPFZ ALP jIF; sVF. PVPV; f	DGËOU OFI ZS8ZzL
3	zL IN, L5 9FSZ	OFI ZS8ZzL
4	zL SP5LPHFULO	OFI ZS8ZzL
5	zL VRP5LP SMFZL	GMGvVShISI ßLJ OFI ZS8ZzL
&	5IP HFQFL H\$MA	VPLXGS, OFI ZS8ZzL
*	5IP X; DF UFWL	VPLXGS, OFI ZS8ZzL
(zL IGD", SP HF	VPLXGS, OFI ZS8ZzL

VF IGI FDS D0/ äZF SZJFDAVEJTL SFI "JFCLGL GMW HFCZ HGTF DF8[p5, aW SZJFDAVEJTL GYLP

**5LÖJL; IV[, S5GIDFAGMSZIGF :Y/[HFIT I ; TFD6L V8SEJJF OZLI FN
IGJFZ6 ; IDTL ZRGF YI[, K[H[; IDTLGL IJUT GIR[5PF6[KP**

SP	GFD	; IDITDA CMM	; ZGFDp
!	zLDTL V; PVFZPB; SJFGL	Vwl 1fzL	IGUIDT SRZL4 ZFHSMB
Z	zL IJPALPUFDLT4	; eI	IGUIDT SRZL4 ZFHSMB
#	OMP EFJGFAG HFQFL5ZF	; eI	VGPHPVMP GF ; eI
\$	SPHPOLP XIUZBLI F	; eI	5PIJP SRZL RMBL, F
5	SPALPVFZP ZFJ,	; eI	VFZPV; PVM ZFHSMB
*	zLDTL 5LPHP J\$ZLI F	; eI	JTY SRZL ZFHSMB UfdI



5LÖJL; LV, DFLH VIWIGI DVZ__# CØ/ ZRJDFAVFEJ, UÇCS TSZFZ IGJFZ6 ONZDGL IJUT

SP	UÇCS TSZFZ IGJFZ6 ONZDG: Y/ VG[ONG GAZ	IJ:TFZ sJTY SRZLVMCP/GF UÇCSM DF8F	RZ5; GG GFD
!	RZ5; Gzl UÇCS TSZFZ IGJFZ6 ONZD4ZFHSNB4 5LÖJL; LV, 4ZÖP Vj0 SM5MZB VMO; 4, 1DLGUZ4 GFGFDJF ZMD4 ZFHSNBv#&__ \$P OMGo_Z(!vZ#(_\$Z5vZ* O\$; o_Z(!vZ#(_\$Z(P	ZFHSNB XCZqUfdI 4 HFDGUZ4 HGFU-4 5MZANZ4 DNZAL	zL HPALP 5FZB
Z	RZ5; Gzl4 UÇCS TSZFZ IGJFZ6 ONZD4EFJGUZ 5LÖJL; LV, 4 1F+I SRZL4 HGF 5FJZ Cfp; S5Fpg04 RFJOL Uj. 84 EFJGUZv#&\$__!P OMGo_Z*(vZ5Z! *&_v&! v&Z O\$; v_Z*(vZ5Z! *&#	EFJGUZ4 AMBFN4 ; ZjNGUZ4 VDZ, L	zL VDPVFEZP JHZLIF
#	RZ5; Gzl UÇCS TSZFZ IGJFZ6 ONZD4EH 5LÖJL; LV, 4 JTY SRZL4 CM 5L8, ZMD4 EHV#* __!P OMGov_Z(#ZvZZ(_5ZvZ5#55_ O\$; o_Z(#ZvZZ5_\$(EH4 VHFZ	zL ; LPJLP9FSZ
\$	RZ5; Gzl UÇCS TSZFZ IGJFZ6 ONZD4HGFU- 5I RD UHZFT JIH S5GL , LDL8D4JTY/ SRZL4HGF 5FJZ Cfp; S5Fpg04 VFhFN RNS4 VDPHLP ZMD4 HGFU-v#&Z__!P OMGo_Z(5vZ&5\$* &5	HGFU-4 ULZ ; MDGFY45MZANZ4 HFDGUZ4 NjEJD äfZSF4	zL ALP5LP AP



D;I M<; v) sIG I D; U;v) f

; YFGFVIWSFZLVMVG[SDRFZLVNGL DFICTL

VGP	VIWSFZLzIG]GfD	CMM	ONG GAZ
!	zLDTL XFCDLGF C]; G svf. PVPV; f	RZD;ZL	_Z(!vZ#(_\$Z5vZ*
Z	OMPWLDV ALP jIF; svf. PVPV; f	DG;OU OFI Z\$8ZzL	_Z(!vZ#(_\$Z5vZ*
#	zL VDPOLP NMXL	. V[8]DG;OU OFI Z\$8Z	_Z(!vZ#(_\$Z5vZ*
\$	zL HP HP UFWL	D;I . HGZs8\$F	_Z(!vZ#(_\$Z5vZ*
5	Bf, L HuIF	D;I . HGZs5MH\$8f	_Z(!vZ#(_\$Z5vZ*
&	zL 5LPV;P DFJF6L	D;I . HGZ sD8Lf	_Z(!vZ#(_\$Z5vZ*
*	zL SPV; P D, SFG	DCF5\AWSsGf6FVVG[IC; FAF	_Z(!vZ#(_\$Z5vZ*
(zL VP VFZP S8FZF	VIWS HGZ, D;HZ sVRVfzf	_Z(!vZ#(_\$Z5vZ*
)	zL HP HP E^	VIWS D;I . HGZs8\$F	_Z(!vZ#(_\$Z5vZ*
!_	Bf, L HuIF	VIWS D;I . HGZsVFZPV;0 ; Lf	_Z(!vZ#(_\$Z5vZ*
!!	Bf, L HuIF	VIWS D;I . HGZs5MH\$8f	_Z(!vZ#(_\$Z5vZ*
!Z	zL VRPOLP RF;F6	S5GL ; ;\$ZL	_Z(!vZ#(_\$Z5vZ*
!#	zLP 5LPH; DH;LI F	D;I IC; FAGLX VIWSFZL	_Z(!vZ#(_\$Z5vZ*
!\$	SFPJFP zL V;VRPT, ; F6LI F	VIW1FS . HGZs8\$GLS, f	_Z(!vZ#(_\$Z5vZ*
!5	zLP SP HP BFJO]	VIW1FS . HGZs; L;L, f	_Z(!vZ#(_\$Z5vZ*
!&	Bf, L HuIF	VIW1FS . HGZsVFZPV;0 ; Lf	_Z(!vZ#(_\$Z5vZ*
!*	zL V;V;P 5FWOFZ	VIW1FS . HGZs5;SI ZD;8f	_Z(!vZ#(_\$Z5vZ*
!(zL V; PVFZP ZFOF	VIW1FS . HGZs:SFoff	_Z(!vZ#(_\$Z5vZ*
!)	zL 5LP8LP 50IF	SFI 5F, S . HGZ	_Z(!vZ#(_\$Z5vZ*
Z_	zL 5LPV;P pSf6L	SFI 5F, S . HGZ	_Z(!vZ#(_\$Z5vZ*
Z!	zL ALP8LPSOLJFZ	SFI 5F, S . HGZ	_Z(!vZ#(_\$Z5vZ*
ZZ	zL ALPVFZP JOFJLI F	SFI 5F, S . HGZ	_Z(!vZ#(_\$Z5vZ*
Z#	zL VRPALP 5ZDFZ	SFI 5F, S . HGZ	_Z(!vZ#(_\$Z5vZ*



VGP	VIWSFZLzIGJGFD	CMM	ONG GAZ
Z\$	zLDTL SPHP 58]	SFI 5F, S . HGZ	_Z(!vZ#(_\$Z5vZ*
Z5	zL V] PVDP BLZ; ZLIF	SFI 5F, S . HGZ	_Z(!vZ#(_\$Z5vZ*
Z&	zL VFZPHLP UMJF6L	SFI 5F, S . HGZ	_Z(!vZ#(_\$Z5vZ*
Z*	zL VFZPJLP ; MDF6L	SFI 5F, S . HGZ	_Z(!vZ#(_\$Z5vZ*
Z(zL 5LPVGP XØ	SFI 5F, S . HGZ	_Z(!vZ#(_\$Z5vZ*
Z)	zL VPVRP T, ; F6LIF	SFI 5F, S . HGZ	_Z(!vZ#(_\$Z5vZ*
#_	zL OLP8LP HØJF6L	GFI A DCF5AWSsDFP; F	_Z(!vZ#(_\$Z5vZ*
#!	zL ALPJLPZF9JF	SFPJF GFI A DCF5AWSsVFP; F	_Z(!vZ#(_\$Z5vZ*
#Z	zL IJPIAPUFDLT	DCSD VIWSFZL sHGZ, f	_Z(!vZ#(_\$Z5vZ*
##	zLP SPSP VMhf	DCSD VIWSFZL sVRVfzf	_Z(!vZ#(_\$Z5vZ*
#\$	zL VFZP; LP 58]	VFMMUS ; AWS VIWSFZL	_Z(!vZ#(_\$Z5vZ*
#5	zL OLPHP , FBF6L	SMg8M, Z VMD V\$Fpg8	_Z(!vZ#(_\$Z5vZ*
#&	zL ALPVDP ELDØIF6L	SMg8M, Z VMD V\$Fpg8	_Z(!vZ#(_\$Z5vZ*
#*	zL JLPV], PG5F/L	GFI A DpI IC; FAGLX VIWSFZL	_Z(!vZ#(_\$Z5vZ*
#(zLP VFZP SP DUL	GFI A DpI IC; FAGLX VIWSFZL	_Z(!vZ#(_\$Z5vZ*
#)	zL SPVDP YFGSL	GFI A DpI IC; FAGLX VIWSFZL	_Z(!vZ#(_\$Z5vZ*
\$_	zLDTL V] PVFZ BXSJF6L	GFI A DpI IC; FAGLX VIWSFZL	_Z(!vZ#(_\$Z5vZ*
\$!	zLP OLP; LP SFS]	; L:8D VGF, L:8	_Z(!vZ#(_\$Z5vZ*



5LÒJL; IV[, S5GL CØ/GL 1ŕ+I SRZL VG[JTŸ SRZLGF DpI HJFANFZ VIWSFZLVNGF GFD VG[ONG GAZGL IJUT

VGP	1ŕ+I qJTŸ SRZL	VIWSFZLzLGJGFD	CMM	ONG GAZ	
!	EFJGUZ 1ŕ+I SRZL	zL VP VP HFOHF	SFPJFP VIWS DpI . HGZ	0296	2429950-59-52
Z	Eŕ JTŸ SRZL	zL VPVŕ; P UZJF	VIW1FS . HGZ	02632	246042
#	ZFHSMB XCZ JTŸ SRZL	zL VGPHLP SFZLI F	VIW1FS . HGZ	0269	2354690-92
\$	ZFHSMB UfdI JTŸ SRZL	zL 5LP; LP SF, ZLI F	VIW1FS . HGZ	0269	2390459-59
5	DMZAL JTŸ SRZL	zL JLPVŕ, P OMAZLI F	VIW1FS . HGZ	020622	283809
&	HFDGUZ JTŸ SRZL	zL ; LPSP 58ŕ,	VIW1FS . HGZ	0266	2440309- 2489683
*	HGFU- JTŸ SRZL	zL VFZP; LP 58ŕ,	VIW1FS . HGZ	0264	2522959
(5MZANZ JTŸ SRZL	zL OLPVDP SFDF6L	SFPJFPVIW1FS . HGZ	0265	2280689
)	VHFZ JTŸ SRZL	zL VPVŕ; P UZJF	SFPJFPVIW1FS . HGZ	02635	282485
!_	VDZŕ, L JTŸ SRZL	zL VGPFV. P p5fwi FI	VIW1FS . HGZ	02962	223635
!!	EFJGUZ JTŸ SRZL	zL OLPJLP, FBF6L	VIW1FS . HGZ	0296	2422622, 2422982
!Z	AMBN JTŸ SRZL	zLP 5LPHP DCŕFP	VIW1FS . HGZ	02686	245009-2
!#	; ZŕNGUZ JTŸ SRZL	zL VGP; L Wŕ, F6L	VIW1FS . HGZ	02942	223840, 236969



DhI N<; v! _sIGID; Uçv! _f

IJIGIDDA jibvie kyi<phIN[vLtrn) 5MMIT sh)t thi>rk a(Gkir)ai[an[
kmeir)ai[h[mLti DFI; s vLtr.

; \YFGF VFXZ[! #&*5 VIWSFZLVM TYF SDRFZLVM äZF D/JJFDF\ VFJT\
DFI; S DC[TF6]DFgI I]GI GM; FY[YI[, ; DFWFG TYF ZFHI ; ZSFZGL DHZLYL
5I; mW SZFI[, ÖPVf; PVMv! 4TFP_! P_*PZ_) TYF ÖPVf; PVMv_5
TFZLB ! \$P_(PZ_! * D)HA T[VMGF CIMNG[VG]; FZ GLR[H6FJ[, 5UFZ WMZ6
D)HA R\$JJFDF\VFJ[KP

VG] GP	CMM	ÖVf; VM! D)HA 5UFZ WMZ6 .	ÖVf; VM/5 D)HA ; WFZ[, 5UFZ WMZ6 .
!	D)I . HGZ4 HGZ, DGHZsVDPVg0VFqsVRVFZf	54700-77000	148800-209500
Z	VIWS D)I . HGZ4 VIWS HGZ, DGHZsVRVFZf sDFP; F4; LPVDPVDP4	48590-75900	129800-202700
3	VIWIFS . HGZ4 ; LPVMPVpsV\$FPf4GFI ADCF5AWS	41200-70270	110100-187700
4	SFI 5F, S. HGZ4 DC\$D VIWSFZL4 VFMMUS ; AWS VIWSFZL4 GFI A D)I IC; FAGLX VIWSFZL4; L:8D VGF, L:84	27000-44710	72100-119400
5	V\$Fpg8 VM0; Z4 VF; L:8g8 ; \$BZL	21900-43350	58500-115800
6	S5GL ; \$BZL4 GFI A . HGZ4, M/VM0; Z45MJFDZ	21200-42000	55600-110100
7	HJLI Z . HGZ4 VIWIFS sV\$Fpg8f qsVf8fa, L; Dg8f4 VF; L:8g8 , M/VM0; Z4 ; LGLP :8GM HJLI Z 5MJFDZ	17300-38610	45400-101200
8	GFI A VIWIFsV\$FPfqsVf8f4 HJLI Z :8GM ; LGLI Z . G5B qVfp85B VF; LP4 ; LGLI Z 8\$GLI xI G4 ; LGLI Z OFODG4	13600-31300	35700-82100
9	; LGLI Z VF; L:8g84; LSLI NZL8L . g:5\$8Z4 HJLI Z . G5BqVfp85B VF; LP4 HJLI Z OFODG4	11300-22470	29100-57800
10	, F. G . g:5\$8Z4 DL8Z . g:5\$8Z4DL8Z 8f8Z Upv! 4 ; JI Z	10100-22000	26000-56600
11	HJLI Z VF; L:8g84 HJLI OFDF, L:84jCLS, OF. JZ4 8f, LONG VM5ZBZ4 :8GM8F. 5L:84	9700-21710	25000-55800
12	, F. GDG4 DL8Z 8f8Z Upv#4 8f Z	8800-20940	22700-53900
13	NOTZL4 VF; L:8g8 , F. GDG	8100-19870	20900-51100
14	5TFJF/F4 . , \$8ES, VF; L:8g84 JMIRDG4 JMDAMI 4 S, LGZ48f, LONG V\$g0g84 SFDNFZ	7300-17940	18800-46200

NZ\$ SDPFZLqVIWSFZLVMGF 5UFZGL IJUT ; LGLI NZL8L , L:8DANXFJJFDF\VFJ[KP



DhI M<; v!! sIGID; Ucv!! f

; \YFG[OF/J[, VNFH5+4TDFD IHGFVMGM;]RT BR"VG[SZ[,
R\$J6L VUGL IJUTM

; \YFG[OF/JFI[, VNFH5+4 TDFD IHGFVMGM;]RT BR" SZ[, R\$J6L VUGL
IJUTM A[, h; XL84 5MDL8 Vh0 , M; V\$Fpg8 :8BDh84 ; \YFGL JJA; F. 8
www.pgvcl.com p5Z p5, aW KP



DhI M<; v! ZsIGID; Uçv! Zf

; CFI SL SFI SPGAVD, VUçL 5wMIT

; \YF äZF SM ; CFI SL SFI SP VD, DFGYLP

ZFHI ; ZSFZGL IGTL DHA B[TLJFOL4 UfdI JFZLUCMGF\ UFCSMG[V5FTL
; A; LOLGL IJUTM; \YFGF\ DhI M<; D\NXF"J, K[TYF ; ZSFZzL äZF HFCZ YI [,
VDGè8L :SLD GL DFICTL 56 ; \YFGL JA; F. 8 www.pgvcl.com p5Z
p5, aW KP



DhI N<; v! # sIGI D; Uçv! #f

; \YF äFZF VF5JFDFVFEJ[, ZFCTM 5ZDL8 S[VIWSIT

VF VUçL DFICTL XhI KP



DjI N<; v! \$sIGID; Uçv! \$f

IJHF6}-5[p5, aW DFICTL

; \YF äZF GIR[D]HAGL DFICTL S5GL JA; F. 8 www.pgvcl.com p5Z p5, aW
SZJFDFVFEJ[KP

! P ; \YFGM. ITCF;

ZP; \YFGFDctJGF\VIWSFZMGL IJUTM

#P; \YFGF SFI M

\$P ; \YF VUçGF DctJGF\; DFRFZMP

5P; \YFGF JFIQFS IC; FAMTYF VCçF, MP

&P ; \YFGF\ . HFZFNEZ DF8çL H~ZL IJUTMP

*P UçCSMGL ;]JWF VYçOLOAç . çOMDçG , LS DçJFDFVFEJç, KP

(P VUtI GF5IZ5+MP

)P IJIJW OMD";

! _P UçCS VIWSFZ 5+



DjI N<; v! 5 sIGI D; Uçv! 5f

GFUZLSMG[DFICTL D/L ZC[V[C[T]YL ZLOLU~D S[, FI AŽIGL
jI J:YF CM TMT[VUĞL DFICTL TPH T[VUĞL VgI IJUTM

NZŞ UfCSMG[5BF IJEFULI SRZLIGL DFICTL D/L ZC[T[C[T]YL GMBL; AMD"5Z GLR[
D]HAGL DFICTL DŞJFDF\VFJ[KP HJL SP4

! P UfCS, 1fl 5IZ5+P

ZP HGZ, 5fi MZL8L TYF 5]. 0 5h0LU B[TL IJQFI S IJH HFDF6GL IJUT

#P S. TFZLBqDICGF ; WLGFB[TL IJQFI S IJH HFDF6MV5FI F K[TGL IJUTP

\$P B[TL IJQFI S IJH HFDF6 SI FZYL AFSL K[m

Vf p5ZFT ; \YFGL JA; F. 8 p5Z UfCS, 1fl VG[GFUZLS ICTv; AWL TDFD
H~ZL DFICTL4 IJUT p5, aW SZJFDF\VFJ[K[VG[H~ZL ; DI [GFUZLS, 1fl VG[
GFUZLSICT ; AWL H~ZL DFICTL JTDFG 5+MDF5]; wW SZJFDF\VFJ[KP



ડિજિટલ; વ! & સિગિડ; ઉષ્વ! & f

; યયગ વષ, ઢ વીવસઝીલ હફઝ ઢફિટલ વીવસઝીલ ઢનંગલ હફઝ ઢફિટલ
વીવસઝીલ ઢનંગલ ઢફિટલ ; યયગ જા; ફ. ૮ ૫ઝ ગીરગી , લઃ ૫ઝ ઢષજઢાવઢજ, કપ

<http://www.pgvcl.com/consumer/RTI.php/>

List of P.I.O/A.P.I.O/A.A under RTI-2005 IN GUJARATI

૫ીઠી; લવ, ડઃગીઢાહફઝ ઢફિટલ વીવસઝીલ ઢનંગલ હફઝ ઢફિટલ
વીવસઝીલ વષ, ઢ વીવસઝીલ વઢઢઢી ઢફિટલ ગીર[૫ઢ૬[કપ

SP	જી ય યી + લ સીઝીગીઢ	હી[સીઝીગી ડી યી + કપ/ગી સી, હફઝ ઢફિટલ વીવસઝીલ ; ઢી	હી[સીઝીગી ડી યી + કપ/ગી સી, ઢનંગલ હફઢી વીવસઝીલ ; ઢી	હી[સીઝીગી ડી યી + ગી વષ, ઢ વીવસઝી
!	સીઢીઢ વીઠી;	1	3	1
Z	ઝીઢીઢ ઝીઝી	26	43	1
#	ઝીઢીઢ યીઢી	33	76	1
\$	ઢીઝીલ	19	44	1
5	૫ીઝીઝી	22	43	1
&	હીઢીઝી	40	88	1
*	હીઢીઝી-	27	56	1
(ઈ	23	31	1
)	વહીઝી	16	23	1
!_	ઈઈઝીઝી યી યી + લ	3	3	1
!!	ઈઈઝીઝી	35	61	1
!Z	વઢીઝી, લ	33	75	1
!#	; ઝીઝીઝીઝી	23	63	1
!\$	ઢીઢીઢ	13	14	1
	સી,	314	623	14



DjI M<; ! *sIGID; Uçv! *f

; \YFGL VgI p5IMUL DFICTIP

- ✓ ; \YFGL JJA; F. 8 ; DI FTZ[VnTG SZJFDA VEFJ[K[TYF TGL p5Z p5IMUL IJUTMD\$FI KP
- ✓ JLH IJ1F5GL OZLI FN ; AIWT 5Bf IJEFULI SRZLGF OMk8 ; tj8Z 5Z GMMFJJL VG[H~Z 50[TM; AIWT GFI A . HGZGM; 5S"SZJMP
- ✓ ; \YFGE , F. GGF\; DFZSFD DF8GL IJUTJFZ HFCZFT ; DFRFZ5+MDF\VEFJ[K[H\YL GFUZLSMG[CF, FSL G 50P
- ✓ ccZ\$2*ccUfCS ; jF SbjN= p5, aW K[HDFA 8M, Oj. GAZ ! (__Z##! 55### TPH !)! ZZ 5Z OZLI FN GMMFJL XSF1 KP UfCS 5LÒJL; LVj, GF VIWST JMB; V5 GAZ)5! Z_!)! ZZ p5Z 56 5MTFGL OZLI FN GMMFJL XS[KP
- ✓ JLH ARTGA VIE I FGDA HFDFJM TYF JLH ; jF ; jFZJF ; jRGM ; AIWT SRZLGFJOFG[Vf5MP