

TENDER NO. PGVCL/PROC/HT SMC Meter Box/1011

WALL / STRUCTURAL MOUNTING HOLE (ø12 + 1mm)

BASE(SMC)

RUBBER GASKET

PLAN

NOTES:

1. MADE OUT OF (THERMOSETTING PLASTIC) SHEET, MOLDING COMPOUND BY THE PROCESS OF HOT PRESS COMPRESSION MOLDING, CONFIRMING TO IS: 13410.
2. SMC BASE OR DOOR SHALL NOT SOFTEN OR BEND ON HEATING.
3. DOOR FITTED TO BASE BY STRIP HINGES.
4. TRANSPARENT COVER OF VIEWING WINDOW TOUGHENED TRIPLEX GLASS FITTED FROM INSIDE OF DOOR
5. DIMENSIONS: MINIMUM:-  
INSIDE - H=810mm, W=350mm, D=230mm,
6. COLOUR : OFF WHITE 7. THICKNESS OF SMC=2MM MIN.

70±1.5 X 70±1.5mm MS PLATE

SMC PLATE FOR MODEM MOUNTING Min. 4mm Thk.

VIEWING WINDOW (280±2.5 X 180±2.5mm)

WALL MOUNTING SMC FLAT (650 X 65 X 12 mm)

DOOR CLOSING CLAMP (S.S) (Min. 0.8mm Thk.)

HOLE FOR PAD LOCK

HOLE FOR WIRE SEAL (ø4 + 0.5 mm)

MSZP EARTHING BOLT M6 X 25 MM

70±1.5 X 70±1.5mm MS PLATE

METER HANGING BRACKET WITH BOLT OF SIZE 3 MM

SLIDING ARRANGEMENT FOR METER & MOUNTING

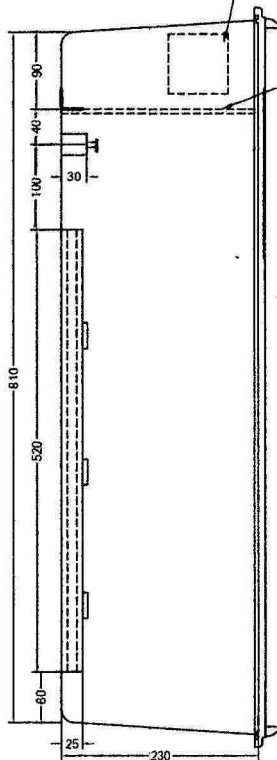
VERTICAL STRIP

Ø7±1

Ø15±1

SMC PLATE FOR MODEM MOUNTING

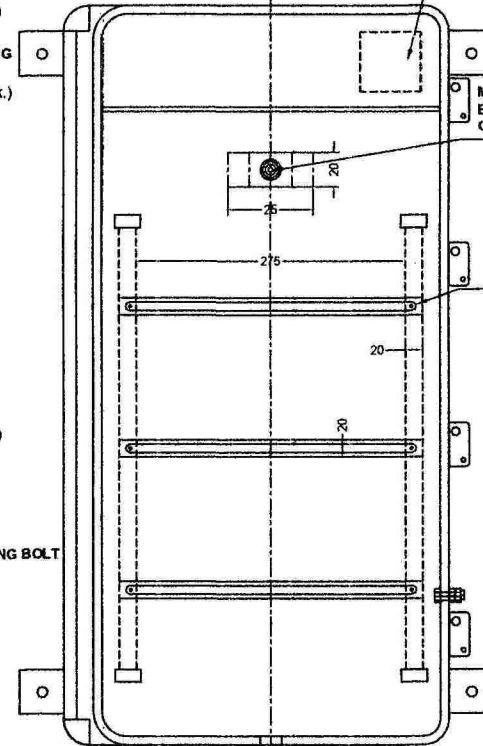
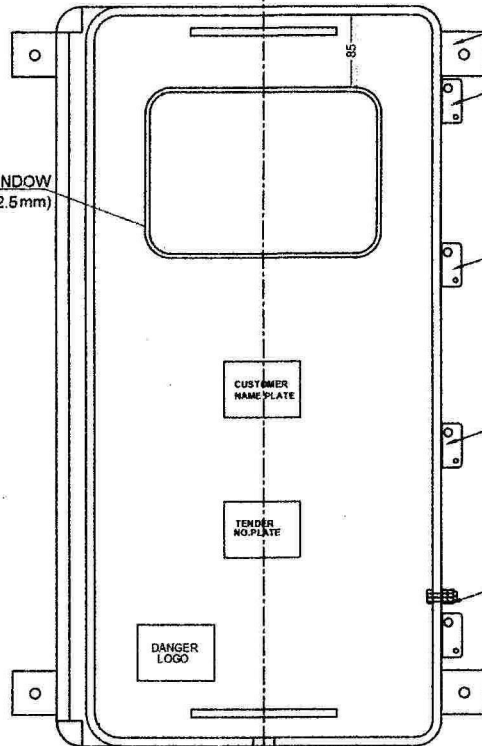
Chief Engineer (Project)  
PGVCL, Corp. Office  
Rajkot



SIDE VIEW

CABLE ENTRY HOLE WITH ø25±1mm BRASS DOUBLE COMPRESSION GLAND

ELEVATION



DOOR OPEN VIEW

TITLE:	SCALE:	AS PER	APPROVED BY:
3-PHASE HT AMR SMC METER BOX	NTS	dimensions are in mm	
NAME OF DISCOM: PGVCL			
DRG NO:- PGVCL / HT SMC BOX / 01			